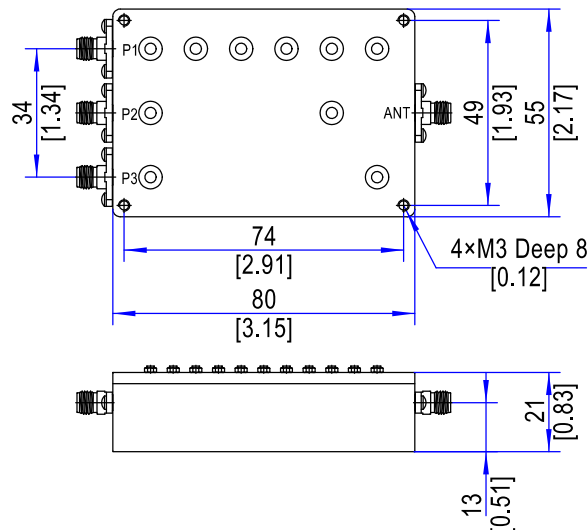


YSTPLX20-2R485-7R755-S

2.485-7.755 GHz Cavity Triplexer, 20 W, SMA Connector

Electrical Specifications			
Parameters	P 1	P 2	P 3
Pass Band Freq.	2485-2585 MHz	4970-5170 MHz	7455-7755 MHz
Center Freq.(F0)	2535 MHz	5070 MHz	7605 MHz
Insertion Loss	≤1.0 dB	≤1.0 dB	≤1.0 dB
Pass Band Ripple	≤0.4 dB	≤0.4 dB	≤0.4 dB
Pass Band VSWR	≤1.3:1	≤1.3:1	≤1.3:1
Stop band Rejection	≥70 dB @ 4970-7755 MHz	≥70 dB @ DC-2585 MHz ≥70 dB @ 7455-7755 MHz	≥70 dB @ DC-5170 MHz
Power Handling	≤20 W		
Impedance	50 Ω		
Environmental Characteristics			
1	Operating Temperature	-30°C to +70°C	
Mechanical Characteristics			
1	Connectors	SMA Female	
2	Surface Finishing	Black Painted Finish	
3	Dimensions ¹	80×55×21 mm / [3.15×2.17×0.83 in]	
4	weight	171 g	

Outline Drawing (Units: mm/[inch], Tolerance: ±0.3 mm)



Note 1: Excluding Connectors