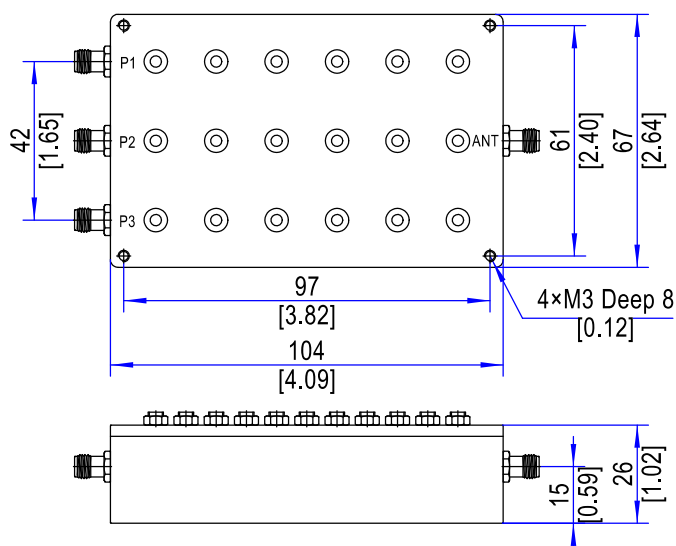


# YSTPLX20-1R71-5R355-S

1.71-5.355 GHz Cavity Triplexer, 20 W, SMA Connector

Electrical Specifications			
Parameters	P 1	P 2	P 3
Pass Band Freq.	1710-1785 MHz	3420-3570 MHz	5130-5355 MHz
Center Freq.(F0)	1747.5 MHz	3495 MHz	5242.5 MHz
Insertion Loss	≤1.2 dB	≤1.2 dB	≤1.2 dB
Pass Band Ripple	≤0.5 dB	≤0.5 dB	≤0.5 dB
Pass Band VSWR	≤1.4:1	≤1.4:1	≤1.4:1
Stop band Rejection	≥70 dB @ 3420-5355 MHz	≥70 dB @ DC-1785 MHz ≥70 dB @ 5130-5355 MHz	≥70 dB @ DC-3570 MHz
Power Handling	≤20 W		
Impedance	50 Ω		
Environmental Characteristics			
1	Operating Temperature	-30°C to +70°C	
Mechanical Characteristics			
1	Connectors	SMA Female	
2	Surface Finishing	Black Painted Finish	
3	Dimensions <sup>1</sup>	104×67×26 mm / [4.09×2.64×1.02 in]	
4	weight	310 g	

**Outline Drawing** (Units: mm/[inch], Tolerance: ±0.3 mm)



Note 1: Excluding Connectors