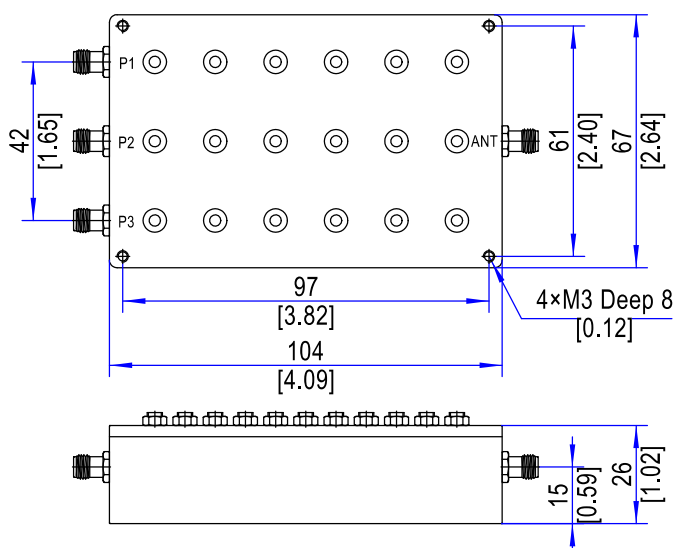


YSTPLX20-1R66-5R07-S

1.66-5.07 GHz Cavity Triplexer, 20 W, SMA Connector

Electrical Specifications			
Parameters	P 1	P 2	P 3
Pass Band Freq.	1660-1690 MHz	3320-3380 MHz	4980-5070 MHz
Center Freq.(F0)	1675 MHz	3350 MHz	5025 MHz
Insertion Loss	≤1.0 dB	≤1.0 dB	≤1.0 dB
Pass Band Ripple	≤0.4 dB	≤0.4 dB	≤0.4 dB
Return Loss	≥18 dB	≥18 dB	≥18 dB
Stop band Rejection	≥50 dB @ 3320-5070 MHz	≥50 dB @ DC-1690 MHz ≥50 dB @ 4980-5070 MHz	≥50 dB @ DC-3380 MHz
Power Handling	≤20 W		
Impedance	50 Ω		
Environmental Characteristics			
1	Operating Temperature	-30°C to +70°C	
Mechanical Characteristics			
1	Connectors	SMA Female	
2	Surface Finishing	Black Painted Finish	
3	Dimensions ¹	104×67×26 mm / [4.09×2.64×1.02 in]	
4	weight	314 g	

Outline Drawing (Units: mm/[inch], Tolerance: ±0.3 mm)



Note 1: Excluding Connectors