

# YSRT500-18-N

Coaxial RF Termination, DC-18 GHz, 500 W, N-Type Connector, 50 Ohm

## Key Features

- 500 W avg. power @ 25°C
- DC to 18 GHz frequency range
- VSWR ≤ 1.45
- N-Type male connector options

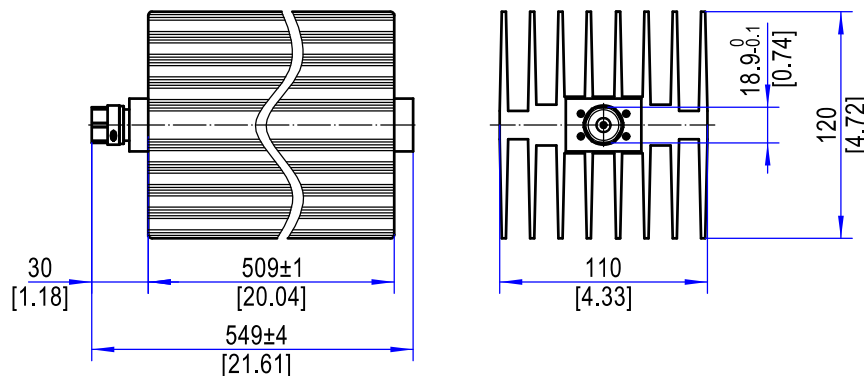
## Applications

- Test & measurement systems
- Microwave & RF laboratory setups
- High-frequency communication systems
- Radar and aerospace electronics
- Component characterization and calibration

| Electrical Specifications    |                            |   |          |             |           |
|------------------------------|----------------------------|---|----------|-------------|-----------|
| 1                            | Nominal Impedance          | 50 Ω  |          |             |           |
| 2                            | Average Power <sup>1</sup> | 500 W @ 25°C  |          |             |           |
| 3                            | Frequency Range            | DC-4 GHz  | DC-8 GHz | DC-12.4 GHz | DC-18 GHz |
| 4                            | VSWR                       | ≤ 1.20  | ≤ 1.25   | ≤ 1.35      | ≤ 1.45    |
| Environmental Specifications |                            |   |          |             |           |
| 1                            | Operating Temperature      | -55°C to +125°C   |          |             |           |
| Mechanical Specifications    |                            |   |          |             |           |
| 1                            | Connectors                 | N-Type Male   |          |             |           |
| 2                            | Body Material              | Connector: Copper-Based Ternary Alloy Plating<br>Heat Sink: Black Anodized Aluminum |          |             |           |

Note 1: Refer to the power derating curve for details.

## Outline Drawing (Units: mm/[inch], Tolerance: ±0.3 mm)



Outline A

## Ordering Information:

| Model         | Connector Type          | Outline Drawing |
|---------------|-------------------------|-----------------|
| YSRT500-18-N  | N-Type Female (default) |                 |
| YSRT500-18-NM | N-Type Male             | Outline A       |

Model: **YSRT500-XX-N**

XX = Frequency Range (4 GHz, 8 GHz, 12.4 GHz, 18 GHz )

Example: 8 GHz → **YSRT500-8-N**