

# YSRT50-18-N

Coaxial RF Termination,DC-18 GHz,50 W,N-Type Connector,50 Ohm

## Key Features

- 50 W avg. power @ 25°C
- DC to 18 GHz frequency range
- VSWR ≤1.40
- N-Type male connector options

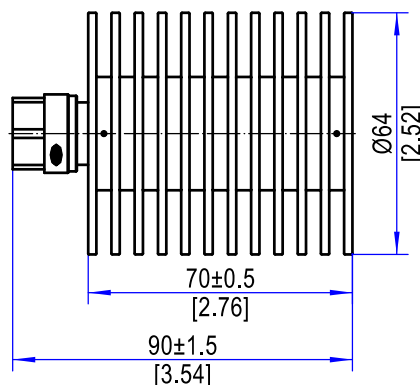
## Applications

- Test & measurement systems
- Microwave & RF laboratory setups
- High-frequency communication systems
- Radar and aerospace electronics
- Component characterization and calibration

Electrical Specifications					
1	Nominal Impedance	50 Ω			
2	Average Power <sup>1</sup>	50 W @ 25°C			
3	Frequency Range	DC-4 GHz	DC-8 GHz	DC-12.4 GHz	DC-18 GHz
4	VSWR	≤1.20	≤1.25	≤1.35	≤1.40
Environmental Specifications					
1	Operating Temperature	-55°C to +125°C			
Mechanical Specifications					
1	Connectors	N-Type Male			
2	Body Material	Connector: Copper-Based Ternary Alloy Plating Heat Sink: Black Anodized Aluminum			
3	Inner Conductor	Gold plated brass/beryllium brass			

Note 1: Refer to the power derating curve for details.

## Outline Drawing (Units: mm/[inch], Tolerance: ±0.3 mm)



Outline A

## Ordering Information:

Model	Connector Type	Outline Drawing
YSRT50-18-N	N-Type Female (default)	
YSRT50-18-NM	N-Type Male	Outline A

Model: **YSRT50-XX-N**

XX = Frequency Range (4 GHz, 8 GHz, 12.4 GHz, 18 GHz )

Example: 8 GHz→**YSRT50-8-N**