

## YSRT5-67-V

Coaxial RF Termination, DC-67 GHz, 5 W, 1.85 mm Connector, 50 Ohm

### Key Features

- 5 W avg. power @ 25°C
- DC to 67 GHz frequency range
- VSWR  $\leq 1.35$
- 1.85 mm female or male connector options
- Passivated stainless steel body

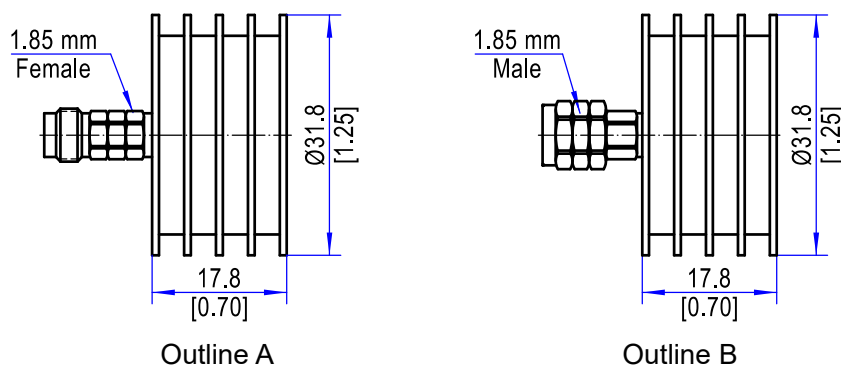
### Applications

- Test & measurement systems
- Microwave & RF laboratory setups
- High-frequency communication systems
- Radar and aerospace electronics
- Component characterization and calibration

Electrical Specifications		
1	Nominal Impedance	50 $\Omega$
2	Average Power <sup>1</sup>	5 W @ 25°C
3	Peak Power	20 W (pulse width: 5 $\mu$ s, duty cycle: 2.5%)
4	Frequency Range	DC-67 GHz
5	VSWR	$\leq 1.35$
Environmental Specifications		
1	Operating Temperature	-55°C to +125°C
Mechanical Specifications		
1	Connectors	1.85 mm Female / Male
2	Body Material	Connector: Passivated Stainless Steel Heat Sink: Black Anodized Aluminum
3	Insulation	PEI
4	Inner Conductor	Gold Plated Brass/Beryllium Brass

Note 1: Power derates linearly to 0.5 W at +125°C. Refer to the power derating curve for details.

### Outline Drawing (Units: mm/[inch], Tolerance: $\pm 0.2$ mm)



### Ordering Information:

Model	Connector Type	Outline Drawing
YSRT5-67-V	1.85 mm Female(default)	Outline A
YSRT5-67-VM	1.85 mm Male	Outline B