

YSRT5-50-2

Coaxial RF Termination, DC-50 GHz, 5 W, 2.4 mm Connector, 50 Ohm

Key Features

- 5 W avg. power @ 25°C
- DC to 50 GHz frequency range
- VSWR ≤ 1.30
- 2.4 mm female or male connector options
- Passivated stainless steel body

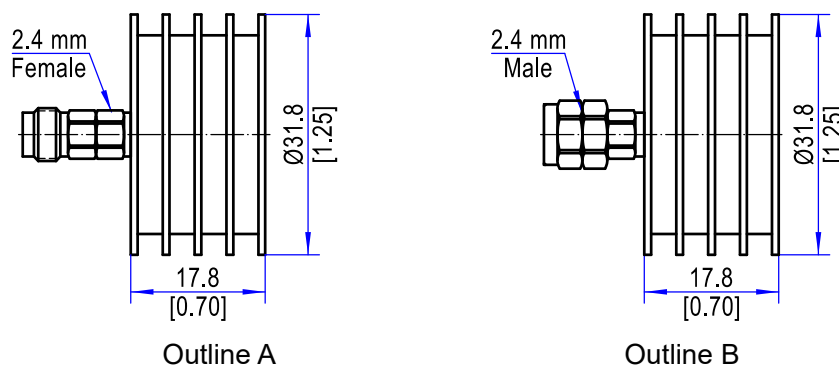
Applications

- Test & measurement systems
- Microwave & RF laboratory setups
- High-frequency communication systems
- Radar and aerospace electronics
- Component characterization and calibration

Electrical Specifications		
1	Nominal Impedance	50 Ω
2	Average Power ¹	5 W @ 25°C
3	Peak Power	20 W (pulse width: 5 μ s, duty cycle: 2.5%)
4	Frequency Range	DC-50 GHz
5	VSWR	≤ 1.30
Environmental Specifications		
1	Operating Temperature	-55°C to +125°C
Mechanical Specifications		
1	Connectors	2.4 mm Female / Male
2	Body Material	Connector: Passivated Stainless Steel Heat Sink: Black Anodized Aluminum
3	Insulation	PEI
4	Inner Conductor	Gold Plated Brass/Beryllium Brass

Note 1: Power derates linearly to 0.5 W at +125°C. Refer to the power derating curve for details.

Outline Drawing (Units: mm/[inch], Tolerance: ± 0.2 mm)



Ordering Information:

Model	Connector Type	Outline Drawing
YSRT5-50-2	2.4 mm Female(default)	Outline A
YSRT5-50-2M	2.4 mm Male	Outline B