

# YSRT200-18-N

Coaxial RF Termination, DC-18 GHz, 200 W, N-Type Connector, 50 Ohm

## Key Features

- 200 W avg. power @ 25°C
- DC to 18 GHz frequency range
- VSWR ≤1.45
- N-Type male connector options

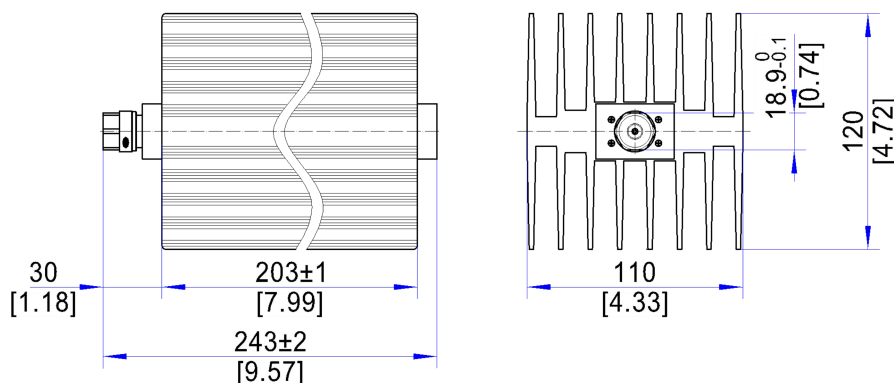
## Applications

- Test & measurement systems
- Microwave & RF laboratory setups
- High-frequency communication systems
- Radar and aerospace electronics
- Component characterization and calibration

Electrical Specifications					
1	Nominal Impedance	50 Ω			
2	Average Power <sup>1</sup>	200 W @ 25°C			
3	Peak Power	1 KW (pulse width: 5 μs, duty cycle: 10%)			
4	Frequency Range	DC-4 GHz	DC-8 GHz	DC-12.4 GHz	DC-18 GHz
5	VSWR	≤1.20	≤1.25	≤1.35	≤1.45
Environmental Specifications					
1	Operating Temperature	-55°C to +125°C			
Mechanical Specifications					
1	Connectors	N-Type Male			
2	Body Material	Connector: Copper-Based Ternary Alloy Plating Heat Sink: Black Anodized Aluminum			

1. Refer to the power derating curve for details.

## Outline Drawing (Units: mm/[inch], Tolerance: ±0.3 mm)



## Ordering Information:

Model: **YSRT200-XX-YY**

XX = Frequency Range in GHz (4 GHz, 8 GHz, 12.4 GHz, 18 GHz )

YY = Connector Type (**N**=N-Female, **NM**= N-Male)

Example: 8 GHz, N-Female → **YSRT200-8-N**