

YSRT10-40-K

Coaxial RF Termination, DC-40 GHz, 10 W, 2.92 mm Connector, 50 Ohm

Key Features

- 10 W avg. power @ 25°C
- DC to 40 GHz frequency range
- VSWR ≤ 1.25
- 2.92 mm female or male connector options

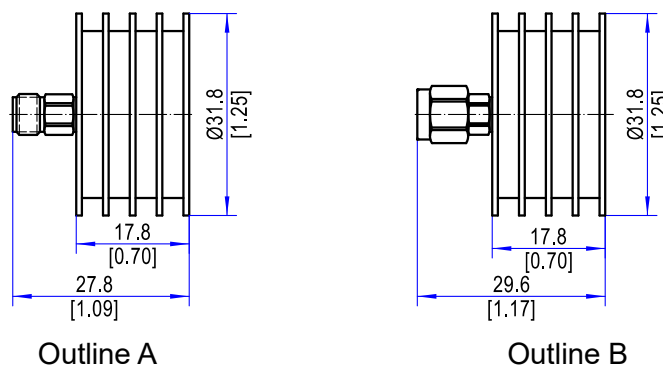
Applications

- Test & measurement systems
- Microwave & RF laboratory setups
- High-frequency communication systems
- Radar and aerospace electronics
- Component characterization and calibration

Electrical Specifications		
1	Nominal Impedance	50 Ω
2	Average Power ¹	10 W @ 25°C
3	Peak Power	100 W (pulse width: 5 μ s, duty cycle: 5%)
4	Frequency Range	DC-40 GHz
5	VSWR	≤ 1.25
Environmental Specifications		
1	Operating Temperature	-55°C to +125°C
Mechanical Specifications		
1	Connectors	2.92mm Female / Male
2	Body Material	Connector: Passivated Stainless Steel Heat Sink: Black Anodized Aluminum
3	Insulation	PEI
4	Inner Conductor	Gold plated brass/beryllium brass

Note 1: Power derates linearly to 1 W at +125°C.

Outline Drawing (Units: mm/[inch], Tolerance: ± 0.2 mm)



Ordering Information:

Model	Connector Type	Outline Drawing
YSRT10-40-K	2.92 mm Female (default)	Outline A
YSRT10-40-KM	2.92 mm Male	Outline B