

YSRSA10-6-60-10A1

Rotary Step Attenuator, 10 W, DC-6 GHz, 0-90dB

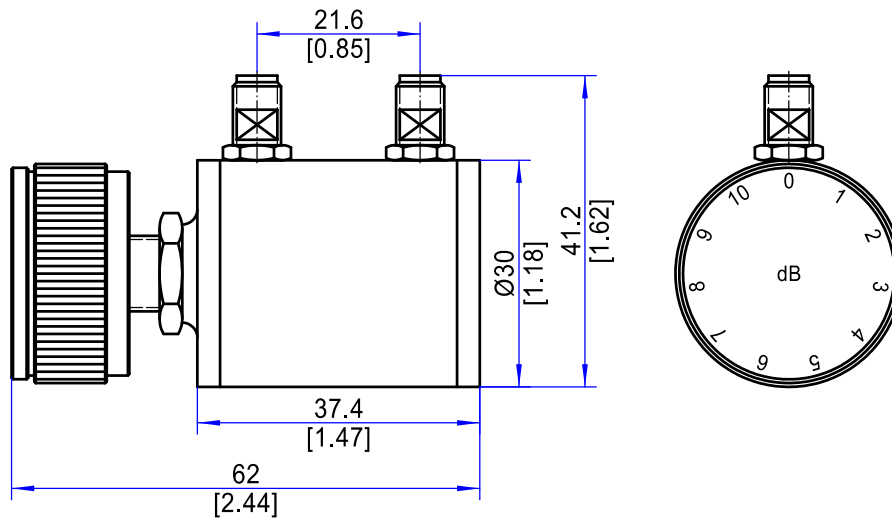
Key Features

- Broadband Operation (DC-6 GHz)
- High Precision Attenuation Control
- High Power Handling up to 10 W
- Flexible Connector Options
- Rugged & Reliable Mechanical Design

Applications

- RF & Microwave Test Systems
- Signal Simulation & Calibration
- Receiver Protection
- EMC / EMI Testing
- System Integration & Lab Use

Electrical Specifications					
Impedance	50 Ω				
Average Power	2 W / 10 W				
Peak Power	100 W (pulse width: 5 μ s, duty cycle: 2%)				
Freq. (GHz)	Attenuation		VSWR (Max.)	Insertion Loss (dB.Max.)	Accuracy(dB)
	Range	Step Size			
DC-2.5	0-1 dB	0.1 dB	1.25	0.4	± 0.2
DC-3			1.30	0.5	
DC-4.3			1.35	0.75	± 0.3
DC-6			1.40	1.0	
DC-2.5	0-10 dB	1 dB	1.25	0.4	± 0.4
DC-3			1.30	0.5	
DC-4.3			1.35	0.75	± 0.5
DC-6			1.40	1.0	
DC-4.3	0-60 dB	10 dB	1.35	0.75	± 0.5 (0-39 dB) ± 0.8 or 3% (≥ 40 dB)
DC-6			1.40	1.0	
DC-2.5	0-90 dB	10 dB	1.25	0.4	± 0.5 (0-39 dB) ± 0.8 or 3% (≥ 40 dB)
DC-3			1.30	0.5	
Environmental Specifications					
Operating Temperature	-20°C to +85°C				
Mechanical Specifications					
Connectors	SMA Female / N-Type Female				
Body Material	Nickel Plated Brass				
Dimension	$\varnothing 30 \times 62$ mm / [$\varnothing 1.18 \times 2.44$ in]				
Weight	Approx. 210 g				

Outline Drawing (Units: mm/[inch], Tolerance: ± 0.5 mm)**Ordering Information:**Model: **YSRSAXX-YY-ZZ-CC**

XX = Power Handling

YY = Frequency Range in GHz

ZZ = Attenuation Range in dB (e.g. 60-10 = 0-60 dB range with 10 dB step size)

CC = Connector Type (S=SMA Female, N=N-Type Female)

Example: 2 W, 6 GHz, 0-60 dB in 10 dB Steps, SMA Female → **YSRSA2-6-60-10A1-S**