

YSFA5-67-XX-V

Fixed Attenuator, DC-67 GHz, 5 W, 1.85 mm connector

Key Features

- Ultra to wideband operation from DC to 67 GHz
- Stable attenuation over frequency
- Excellent impedance matching
- Compact and rugged design
- High reliability under extreme conditions

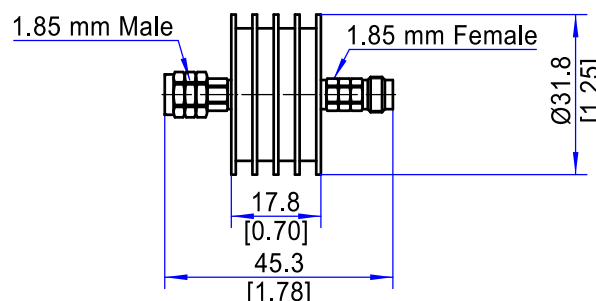
Applications

- RF And Microwave Test Systems
- Millimeter-Wave Communication
- Signal Conditioning In RF Chains
- Instrumentation Protection
- Aerospace And Defense Systems

| Electrical Specifications | | | | |
|------------------------------|----------------------------|---|-----------|-----------|
| 1 | Nominal Impedance | 50 Ω | | |
| 2 | Average Power ¹ | 5 W @ 25°C | | |
| 3 | Peak Power | 20 W (pulse width: 5 μ s ,duty cycle: 1%) | | |
| 4 | Frequency Range | DC-67 GHz | | |
| 5 | VSWR | ≤ 1.40 | | |
| 6 | Attenuation (dB) | 1-10 | 20 | 30 |
| 7 | Accuracy (dB) | -1.0/+1.5 | -1.2/+1.5 | -1.5/+2.0 |
| Environmental Specifications | | | | |
| 1 | Operating Temperature | -55°C to +125°C | | |
| Mechanical Specifications | | | | |
| 1 | Connectors | 1.85 mm Male to Female Other configurations available upon request | | |
| 2 | Body Material | Connector: Passivated Stainless Steel Heat Sink: Black Anodized Aluminum | | |
| 3 | Insulation | PEI | | |
| 4 | Inner Conductor | Gold Plated Brass/ Beryllium Brass | | |

Note 1: Power derates linearly to 0.5 W@+125°C. Refer to the power derating curve for details.

Outline Drawing (Units: mm/[inch], Tolerance: $\pm 2\%$)



Ordering Information:

Model: **YSFA5-67-YY-V**

YY = Attenuation Value in dB

Example: 67 GHz, 5 dB \rightarrow **YSFA5-67-5-V**