

YSFA5-50-XX-2

Fixed Attenuator, DC-50 GHz, 5 W, 2.4 mm Connector

Key Features

- DC to 50 GHz Ultra-Wideband
- 5 W Power Handling
- Low VSWR & High Accuracy
- Compact Cylindrical Design
- Rugged & Reliable

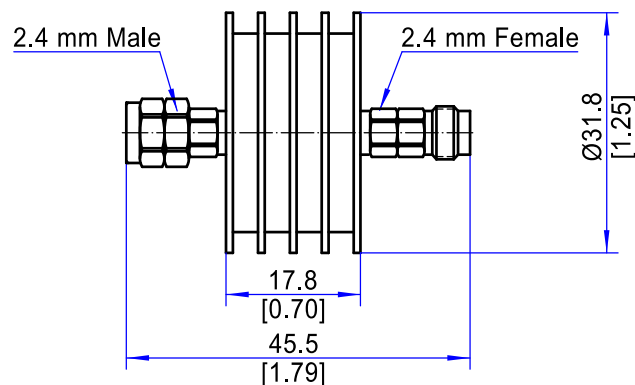
Applications

- RF And Microwave Test Systems
- Millimeter-Wave Communication
- Signal Conditioning In RF Chains
- Instrumentation Protection
- Aerospace And Defense Systems

Electrical Specifications				
1	Nominal Impedance	50 Ω		
2	Average Power ¹	5 W @ 25°C		
3	Peak Power	20 W (pulse width: 5 μ s ,duty cycle: 2.5%)		
4	Frequency Range	DC-50 GHz		
5	VSWR	≤ 1.30		
6	Attenuation (dB)	1-10	20	30
7	Accuracy (dB)	-1.0/+1.2	-1.0/+1.2	-1.0/+1.2
Environmental Specifications				
1	Operating Temperature	-55°C to +125°C		
Mechanical Specifications				
1	Connectors	2.4mm Male to Female Other configurations available upon request		
2	Body Material	Connector: Passivated Stainless Steel Heat Sink: Black Anodized Aluminum		
3	Insulation	PEI		
4	Inner Conductor	Gold Plated Brass/ Beryllium Brass		

Note 1: Power derates linearly to 0.5 W at +125°C. Refer to the power derating curve for details.

Outline Drawing (Units: mm/[inch], Tolerance: 0.3 mm)



Ordering Information:

Model: **YSFA5-50-YY-2**

YY = Attenuation Value in dB

Example: 50GHz, 5 dB → **YSFA5-50-5-2**