

# YSFA5-40-XX-K

Fixed Attenuator, DC-40 GHz, 5 W, 2.92 mm Connector

## Key Features

- DC to 40 GHz Ultra-Wideband
- 5 W Power Handling
- Low VSWR & High Accuracy
- Compact Cylindrical Design
- Rugged & Reliable

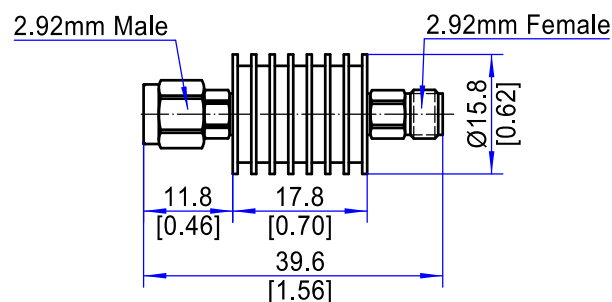
## Applications

- RF And Microwave Test Systems
- Millimeter-Wave Communication
- Signal Conditioning In Rf Chains
- Instrumentation Protection
- Aerospace And Defense Systems

Electrical Specifications				
1	Nominal Impedance	50 $\Omega$		
2	Average Power <sup>1</sup>	5 W @ 25°C		
3	Peak Power	50 W (pulse width: 5 $\mu$ s ,duty cycle: 1% )		
4	Frequency Range	DC-40 GHz		
5	VSWR	$\leq 1.25:1$		
6	Attenuation (dB)	1-10	20	30
7	Accuracy (dB)	-0.7/+1.0	-0.7/+1.0	-0.7/+1.0
Environmental Characteristics				
1	Operating Temperature	-55°C to +125°C		
Mechanical Characteristics				
1	Connectors	2.92mm Male to Female Other configurations available upon request		
2	Body Material	Connector: Passivated Stainless Steel Heat Sink: Black Anodized Aluminum		
3	Insulation	PEI		
4	Inner Conductor	Gold Plated Brass/ Beryllium Brass		

Note 1: Power derates linearly to 0.5 W at +125°C. Refer to the power derating curve for details.

## Outline Drawing (Units: mm/[inch], Tolerance: $\pm 0.2$ mm)



## Ordering Information:

Model: **YSFA2-40-XX-K**

XX = Attenuation Value in dB

Example: 5 dB → **YSFA2-40-5-K**