

FSFA5-26.5-XX-S

Fixed Attenuator, DC-26.5 GHz, 5 W, SMA Connector

Key Features

- DC to 26.5 GHz Ultra-Wideband
- 5 W Average / 50 W Peak Power
- Low VSWR & High Accuracy
- Compact Cylindrical Design
- Rugged & Reliable

Applications

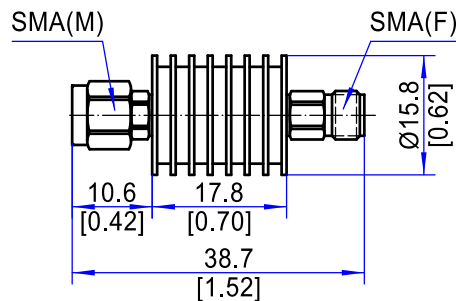
- RF and microwave test systems
- Millimeter-Wave Communication
- Signal conditioning in RF chains
- Instrumentation protection
- Aerospace and defense systems

Electrical Specifications				
1	Nominal Impedance	50 Ω		
2	Average Power ¹	5 W @ 25°C		
3	Peak Power	50 W (pulse width: 5 μ s, duty cycle: 2.5%)		
4	Frequency Range	DC-26.5 GHz		
5	VSWR	$\leq 1.25:1$		
6	Attenuation(dB)	1-10	20	30
7	Accuracy(dB)	-0.6/+0.8	-0.6/+0.8	-0.8/+1.0
Environmental Specifications				
1	Operating Temperature	-55°C to +125°C		
Mechanical Specifications				
1	Connectors	SMA Male to Female Other configurations available upon request		
2	Body Material	Connector: Passivated Stainless Steel Heat Sink: Black Anodized Aluminum		
3	Dimensions ²	$\Phi 15.8 \times 17.8$ mm [$\Phi 0.62 \times 0.7$ in]		

Note 1: Power derates linearly to 0.5 W @ +125°C. Refer to the power derating curve for details.

Note 2: Excluding Connectors

Outline Drawing (Units: mm/[inch], Tolerance: 0.3 mm)



Ordering Information:

Model: **YSFA5-26.5-XX-S**

XX = Attenuation Value in dB

Example: 20 dB → **YSFA5-26.5-20-S**