

YSFA30-40-XX-K

Fixed Attenuator, DC-40 GHz, 30 W, 2.92 mm Connector

Key Features

- DC to 40 GHz Ultra-Wideband
- 30 W Average / 200 W Peak Power
- Low VSWR
- Rugged & Reliable

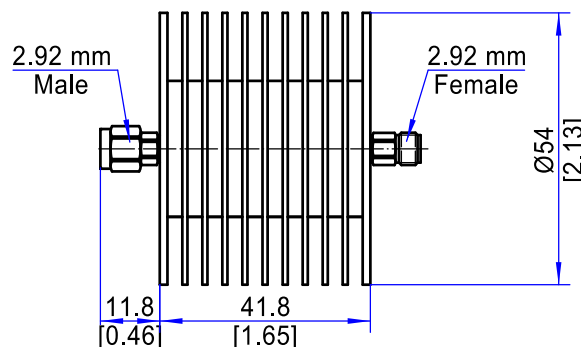
Applications

- RF And Microwave Test Systems
- Millimeter-Wave Communication
- Signal Conditioning In RF Chains
- Instrumentation Protection
- Aerospace And Defense Systems

Electrical Specifications				
1	Nominal Impedance	50 Ω		
2	Average Power ¹	30 W @ 25°C		
3	Peak Power	200 W (pulse width: 5 μ s, duty cycle: 10%)		
4	Frequency Range	DC-40 GHz		
5	VSWR	$\leq 1.35:1$		
6	Attenuation (dB)	20	30	40
7	Accuracy (dB)	-1.5/+2.0	-1.5/+2.0	-1.5/+2.0
Environmental Characteristics				
1	Operating Temperature	-55°C to +125°C		
Mechanical Characteristics				
1	Connectors	2.92mm Male to Female Other configurations available upon request		
2	Body Material	Connector: Passivated Stainless Steel Heat Sink: Black Anodized Aluminum		
3	Insulation	PEI		
4	Inner Conductor	Gold Plated Brass/ Beryllium Brass		

Note 1: Power derates linearly to 3 W@+125°C. Refer to the power derating curve for details.

Outline Drawing (Units: mm/[inch], Tolerance: ± 0.5 mm)



Ordering Information:

Model: **YSFA30-40-XX-K**

XX = Attenuation Value in dB

Example: 20 dB → **YSFA30-40-20-K**