

YSFA30-26.5-XX-S

Fixed Attenuator, DC-26.5 GHz, 30 W, SMA Connector

Key Features

- DC to 26.5 GHz Ultra-Wideband
- 30 W Average / 200 W Peak Power
- Low VSWR
- Rugged & Reliable

Applications

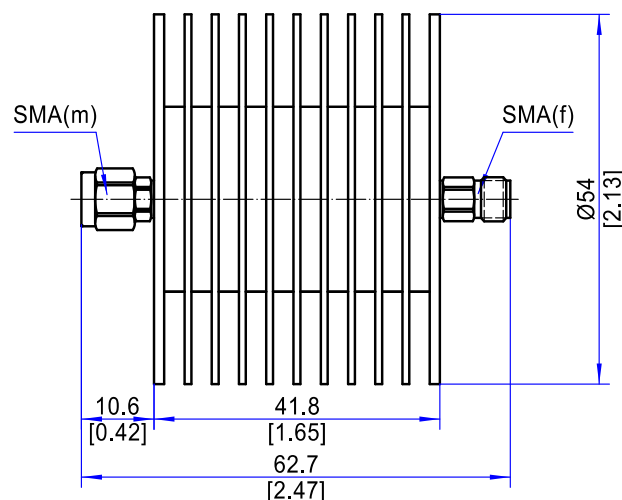
- RF And Microwave Test Systems
- Millimeter-Wave Communication
- Signal Conditioning In RF Chains
- Instrumentation Protection
- Aerospace And Defense Systems

Electrical Specifications				
1	Nominal Impedance	50 Ω		
2	Average Power ¹	30 W @ 25°C		
3	Peak Power	200 W (pulse width: 5 μs, duty cycle: 10%)		
4	Frequency Range	DC- 26.5 GHz		
5	VSWR	≤1.30:1		
6	Attenuation(dB)	20	30	40
7	Accuracy(dB)	±1.5	±1.5	±1.5
Environmental Specifications				
1	Operating Temperature	-55°C to +125°C		
Mechanical Specifications				
1	Connectors	SMA Male to Female Other configurations available upon request		
2	Body Material	Connector: Passivated Stainless Steel Heat Sink: Black Anodized Aluminum		
3	Dimensions ²	Φ54×41.8 mm [Φ2.13×1.65 in]		

Note 1: Power derates linearly to 3 W@+125°C. Refer to the power derating curve for details.

Note 2: Excluding Connectors

Outline Drawing (Units: mm/[inch], Tolerance: ± 0.5 mm)



Ordering Information:Model: **YSFA30-26.5-XX-S**

XX = Attenuation Value in dB

Example: 20 dB→**YSFA30-26.5-20-S**