

# YSFA2K-3-XX-L29

Fixed Attenuator, DC-3 GHz, 2 KW, L29-Type Connector

## Key Features

- High power handling capability
- Broadband operation up to 3 GHz
- Low VSWR for good impedance matching
- Rugged construction for harsh environments

## Applications

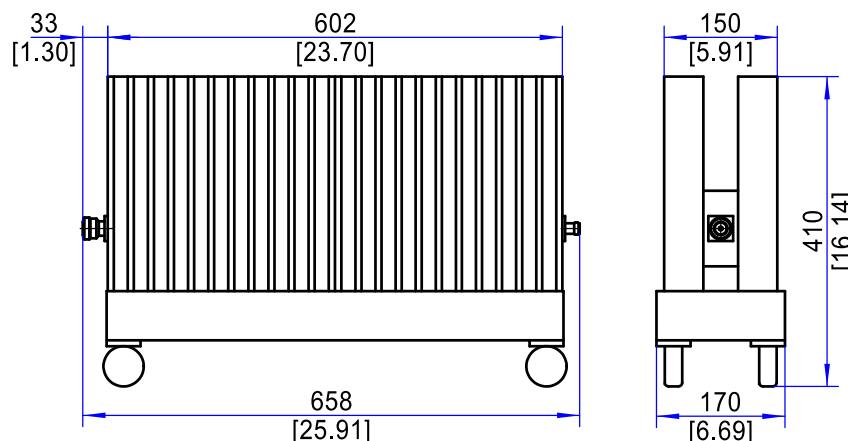
- High-power RF testing
- Transmitter protection
- Signal conditioning in RF systems
- Radar and communication systems
- Industrial and defense applications

Electrical Specifications				
1	Nominal Impedance	50 Ω		
2	Average Power <sup>1</sup>	2 KW @ 25°C		
3	Peak Power	10 KW (pulse width: 5 μs, duty cycle: 10%)		
4	Frequency Range	DC-3 GHz		
5	VSWR	≤1.40:1		
6	Attenuation(dB)	20	30	40
7	Accuracy(dB)	/	/	±2.0
Environmental Specifications				
1	Operating Temperature	-55°C to +125°C		
Mechanical Specifications				
1	Connectors	7/16 DIN (L29) Male to N-Type Female Other configurations available upon request		
2	Body Material	Connector: Nickel Plated Brass Heat Sink: Black Anodized Aluminum		
3	Dimensions <sup>2</sup>	602×170×410 mm / [23.70×6.69×16.14 in]		
4	Weight	30 Kg		

Note 1: Power derates linearly to 200 W@+125°C. Refer to the power derating curve for details.

Note 2: Excluding Connectors.

## Outline Drawing (Units: mm/[inch], Tolerance: ±3 mm)



**Ordering Information:**Model: **YSFA2K-3-XX-L29**

XX = Attenuation Value in dB

Example: 30 dB → **YSFA2K-3-30-L29**