

YSFA10-67-XX-V

Fixed Attenuator, DC- 67 GHz, 10 W, 1.85mm Connector

Key Features

- DC to 67 GHz Ultra-Wideband
- 10 W Average / 50 W Peak Power
- Low VSWR
- Precision 1.85 mm Connector
- Rugged & Reliable

Applications

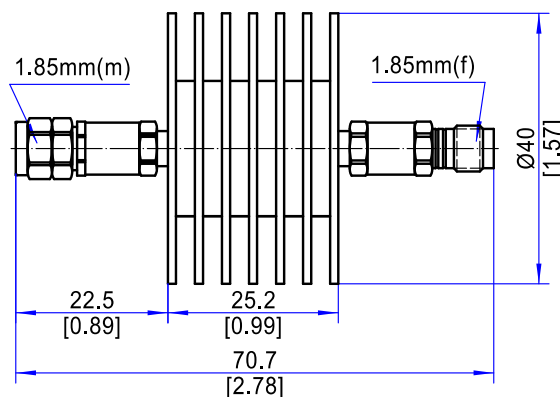
- RF And Microwave Test Systems
- Millimeter-Wave Communication
- Signal Conditioning In RF Chains
- Instrumentation Protection
- Aerospace And Defense Systems

Electrical Specifications				
1	Nominal Impedance	50 Ω		
2	Average Power ¹	10 W @ 25°C		
3	Peak Power	50 W (pulse width: 5 μs, duty cycle: 5%)		
4	Frequency Range	DC-67 GHz		
5	VSWR	≤1.45:1		
6	Attenuation(dB)	10	20	30
7	Accuracy(dB)	-1.5/+2.0	-1.5/+2.0	-1.5/+2.0
Environmental Specifications				
1	Operating Temperature	-55°C to +125°C		
Mechanical Specifications				
1	Connectors	1.85 mm Male to Female Other configurations available upon request		
2	Dimensions ²	Φ40×25.2 mm [Φ1.57×0.99 in]		
3	Weight	62 g		

Note 1: Refer to the power derating curve for details.

Note 2: Excluding Connectors.

Outline Drawing (Units: mm/[inch], Tolerance: ±0.5 mm)



Ordering Information:

Model: **YSFA10-67-XX-V**

XX = Attenuation Value in dB

Example: 10 dB → **YSFA10-67-10-V**