

YSFA10-50-XX-2

Fixed Attenuator, DC-50 GHz, 10 W, 2.4 mm Connector

Key Features

- Ultra-wideband operation
- Stable attenuation over frequency
- Excellent impedance matching
- Compact and rugged design
- High reliability under extreme conditions

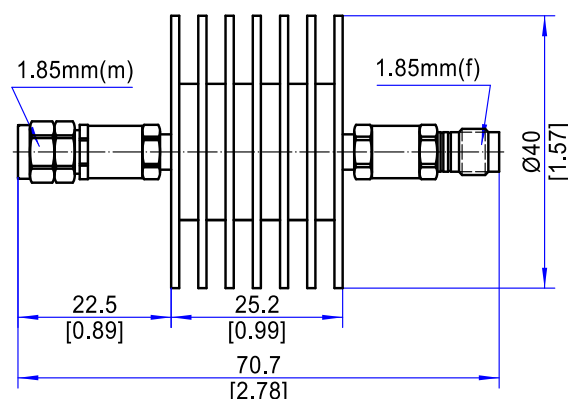
Applications

- RF And Microwave Test Systems
- Millimeter-Wave Communication
- Signal Conditioning In RF Chains
- Instrumentation Protection
- Aerospace And Defense Systems

Electrical Specifications				
1	Nominal Impedance	50 Ω		
2	Average Power ¹	10 W @ 25°C		
3	Peak Power	50 W (pulse width: 5 μs, duty cycle: 5%)		
4	Frequency Range	DC-50 GHz		
5	VSWR	≤1.40:1		
6	Attenuation(dB)	1-10	20	30
7	Accuracy(dB)	-1.5/+2.0	-1.5/+2.0	-1.5/+2.0
Environmental Specifications				
1	Operating Temperature	-55°C to +125°C		
Mechanical Specifications				
1	Connectors	2.4 mm Male to Female Other configurations available upon request		
2	Dimensions	Φ40×70.7 mm [Φ1.57×0.99 in]		
3	Weight	62 g		

Note 1: Refer to the power derating curve for details.

Outline Drawing (Units: mm/[inch], Tolerance: ±0.3 mm)



Ordering Information:

Model: **YSFA10-50-XX-2**

XX = Attenuation Value in dB

Example: 10 dB → **YSFA10-50-10-2**