

# YSFA10-26.5-XX-S

Fixed Attenuator, DC-26.5 GHz, 10 W, SMA Connector

## Key Features

- Ultra-wideband operation
- Stable attenuation over frequency
- Excellent impedance matching
- Compact and rugged design
- High reliability under extreme conditions

## Applications

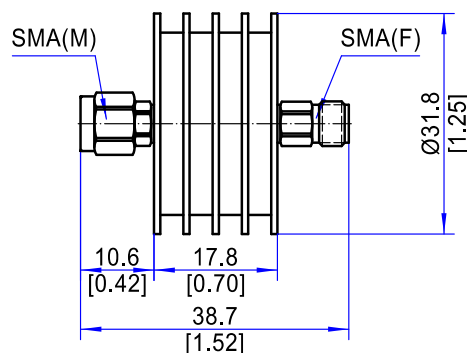
- RF And Microwave Test Systems
- Millimeter-Wave Communication
- Signal Conditioning In RF Chains
- Instrumentation Protection
- Aerospace And Defense Systems

Electrical Specifications				
1	Nominal Impedance	50 $\Omega$		
2	Average Power <sup>1</sup>	10 W @ 25°C		
3	Peak Power	100 W (pulse width: 5 $\mu$ s, duty cycle: 2.5%)		
4	Frequency Range	DC-26.5 GHz		
5	VSWR	$\leq 1.25:1$		
6	Attenuation(dB)	1-10	20	30
7	Accuracy(dB)	-0.6/+0.8	-0.6/+0.8	-0.8/+1.0
Environmental Specifications				
1	Operating Temperature	-55°C to +125°C		
Mechanical Specifications				
1	Connectors	SMA Male to Female Other configurations available upon request		
2	Body Material	Connector: Passivated Stainless Steel Heat Sink: Black Anodized Aluminum		
3	Dimensions <sup>2</sup>	$\Phi 31.8 \times 17.8$ mm [ $\Phi 1.25 \times 0.7$ in]		

Note 1: Power derates linearly to 1 W@+125°C. Refer to the power derating curve for details.

Note 2: Excluding Connectors

## Outline Drawing (Units: mm/[inch], Tolerance: $\pm 0.3$ mm)



## Ordering Information:

Model: **YSFA10-26.5-XX-S**

XX = Attenuation Value in dB

Example: 20 dB → **YSFA10-26.5-20-S**