

YSFA10-18-XX-N

Fixed Attenuator, DC-18GHz, 10 W, N-Type connector

Key Features

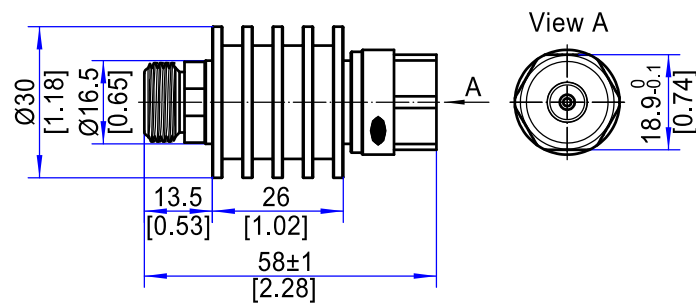
- DC to 18 GHz Ultra-Wideband
- 10 W Power Handling
- Low VSWR & High Accuracy
- Compact & Rugged Construction
- Wide Temperature Range

Applications

- RF And Microwave Test Systems
- Millimeter-Wave Communication
- Signal Conditioning In RF Chains
- Instrumentation Protection
- Aerospace And Defense Systems

Electrical Specifications					
1	Nominal Impedance	50 Ω			
2	Average Power ¹	10 W @ 25°C			
3	Frequency Range	DC-4 GHz	DC-8 GHz	DC-12.4 GHz	DC-18 GHz
4	VSWR	≤1.20	≤1.25	≤1.35	≤1.45
5	Attenuation (dB)	1-60			
Environmental Specifications					
1	Operating Temperature	-55°C to +125°C			
Mechanical Specifications					
1	Connectors	N-Type Male to Female Other configurations available upon request			
2	Body Material	Connector: Copper-Based Ternary Alloy Plating Heat Sink: Black Anodized Aluminum			
3	Dimension	L=58 mm / [2.28 in]			
Attenuation & Accuracy					
Attenuation (dB)	Accuracy(dB)				
	DC-4 GHz	DC-8 GHz	DC-12.4 GHz	DC-18 GHz	
1 to 10	±0.4	±0.5	±0.6	±0.6	
11 to 20	±0.5	±0.6	±0.7	±0.8	
21 to 30	±0.6	±0.8	±0.8	±1.0	
31 to 40	±0.7	±0.8	±0.9	±1.2	
41 to 50	±0.8	±0.8	±1.0	±1.3	
51 to 60	±0.9	±1.0	±1.2	±1.5	

Note 1: Refer to the power derating curve for details.

Outline Drawing (Units: mm/[inch], Tolerance: 0.3 mm)**Ordering Information:**Model: **YSFA10-XX-YY-S**

XX = Frequency Range (4 GHz, 8 GHz, 12.4 GHz, 18 GHz)

YY = Attenuation Value in dB

Example: 8 GHz, 5 dB → **YSFA10-8-5-S**