

YSFA1-110-XX-W

Fixed Attenuator, DC-110 GHz, 1 W, 1.0 mm Connector

Key Features

- DC to 110 GHz Ultra-Wideband
- 1 W Average Power / 5 W Peak Power
- Compact 1.0 mm Connector
- Rugged & Reliable
- Low VSWR $\leq 1.60:1$

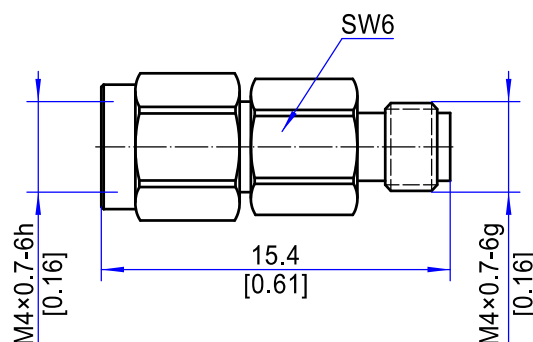
Applications

- Rf And Microwave Test Systems
- Millimeter-Wave Communication
- Signal Conditioning In Rf Chains
- Instrumentation Protection
- Aerospace And Defense Systems

Electrical Specifications				
1	Nominal Impedance	50 Ω		
2	Average Power ¹	1 W @ 25°C		
3	Peak Power	5 W (pulse width:5 μ s, duty cycle:0.5%)		
4	Frequency Range	DC to 110 GHz		
5	VSWR	$\leq 1.60:1$		
6	Attenuation(dB)	3	6	10
7	Accuracy(dB)	-1.0/+2.0	-1.0/+2.0	-1.0/+2.0
Environmental Specifications				
1	Operating Temperature	-55°C to +125°C		
Mechanical Specifications				
1	Connectors	1.0 mm Male to Female Other configurations available upon request		
2	Dimensions	L=15.4 mm/0.61 in		
3	Weight	5 g		

Note 1: Refer to the power derating curve for details.

Outline Drawing (Units: mm/[inch], Tolerance: ± 0.02 mm)



Ordering Information:

Model: **YSFA1-110-XX-W**

XX = Attenuation Value in dB

Example: 10 dB \rightarrow **YSFA1-110-10-W**