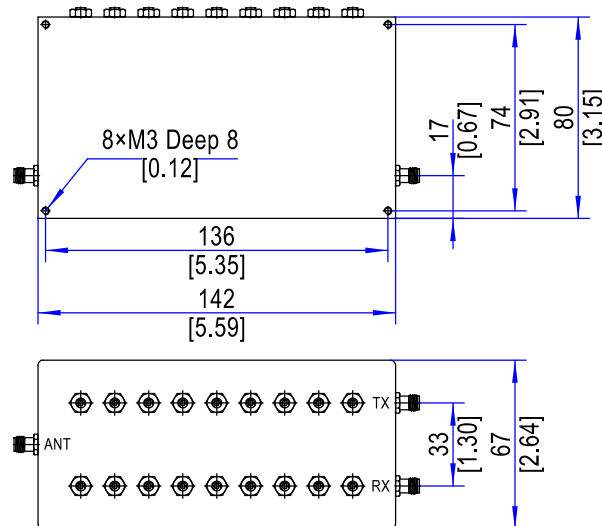


YSDPX10-R49-R507-S

0.49-0.507 GHz Cavity Duplexer, 10 W, SMA Connector

Electrical Specifications			
NO.	Parameters	RX	TX
1	Pass Band Frequency	490-492 MHz	505-507 MHz
2	Center Frequency(F0)	491 MHz	506 MHz
3	Insertion Loss	≤2.8 dB	≤2.8 dB
4	Pass Band VSWR	≤1.3: 1	≤1.3: 1
5	Stop Band Rejection	≥75 dB @ 505-507 MHz	≥75 dB @ 490-492 MHz
6	Power Handling	≤10 W	
7	Impedance	50 Ω	
Environmental Characteristics			
1	Operating Temperature	-20°C to +60°C	
Mechanical Characteristics			
1	Connectors	SMA Female	
2	Surface Finishing	Black Painted Finish	
3	Dimensions ¹	142×80×67 mm / [5.59×3.15×2.64 in]	
4	weight	845 g	

Outline Drawing (Units: mm/[inch], Tolerance: ±0.3 mm)



Note 1: Excluding Connectors