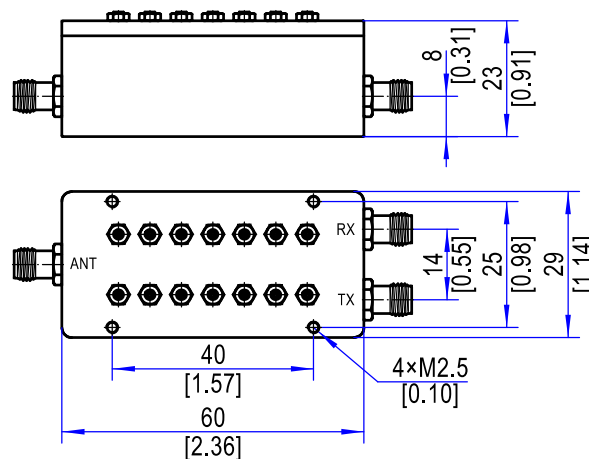


## YSDPX10-2R327-2R497-S

2.327-2.497 GHz Cavity Duplexer, 10 W, SMA Connector

Electrical Specifications			
NO.	Parameters	RX	TX
1	Pass Band Frequency	2327-2337 MHz	2487-2497 MHz
2	Center Frequency(F0)	2332 MHz	2492 MHz
3	Insertion Loss	≤2.2 dB	≤2.2 dB
4	Pass Band Ripple	≤0.5 dB	≤0.5 dB
5	Return Loss	≥18 dB	≥18 dB
6	Stop band Rejection	≥80 dB @ 2487-2497 MHz	≥80 dB @ 2327-2337MHz
7	Isolation	≥80 dB @ 2327-2337 MHz, 2487-2497 MHz	
8	Power Handling	≤10 W	
9	Impedance	50 Ω	
Environmental Characteristics			
1	Operating Temperature	0°C to +50°C	
Mechanical Characteristics			
1	Connectors	SMA Female	
2	Surface Finishing	Black Painted Finish	
3	Dimensions <sup>1</sup>	60×29×23 mm / [2.36×1.14×0.91 in]	
4	weight	89 g	

**Outline Drawing** (Units: mm/[inch], Tolerance: ±0.3 mm)



Note 1: Excluding Connectors