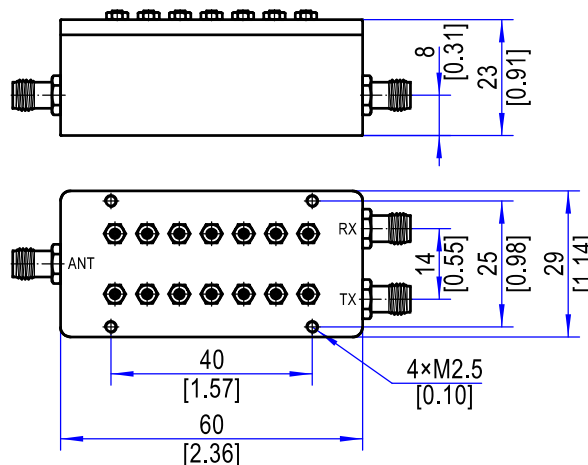


YSDPX10-2R216-2R342-S

2.216-2.342 GHz Cavity Duplexer, 10 W, SMA Connector

Electrical Specifications			
NO.	Parameters	RX	TX
1	Pass Band Frequency	2216-2236 MHz	2322-2342 MHz
2	Center Frequency(F0)	2226 MHz	2332 MHz
3	Insertion Loss	≤2.2 dB	≤2.2 dB
4	Pass Band Ripple	≤0.6 dB	≤0.6 dB
5	Return Loss	≥18 dB	≥18 dB
6	Stop band Rejection	≥50 dB @ 2322-2342 MHz	≥50 dB @ 2216-2236 MHz
7	Isolation	≥50 dB @ 2216-2236 MHz, 2322-2342 MHz	
8	Power Handling	≤10 W	
9	Impedance	50 Ω	
Environmental Characteristics			
1	Operating Temperature	+10°C to +50°C	
Mechanical Characteristics			
1	Connectors	SMA Female	
2	Surface Finishing	Black Painted Finish	
3	Dimensions ¹	60×29×23 mm / [2.36×1.14×0.91 in]	
4	weight	88 g	

Outline Drawing (Units: mm/[inch], Tolerance: ±0.3 mm)



Note 1: Excluding Connectors