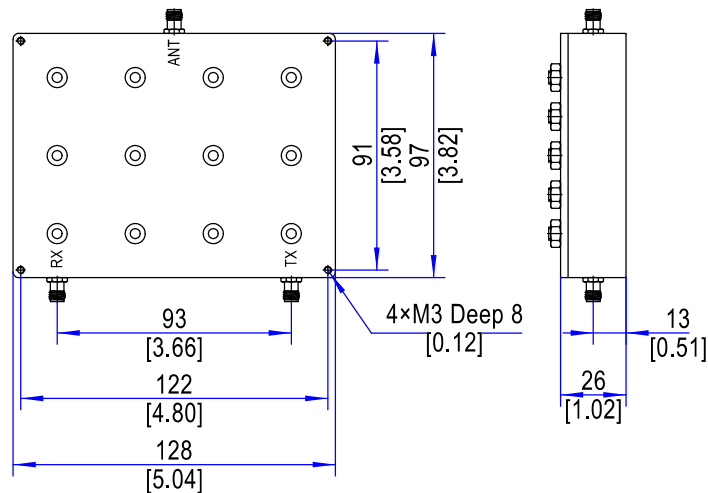


YSDPX10-1R428-1R496-S

1.428-1.496 GHz Cavity Duplexer, 10 W, SMA Connector

| Electrical Specifications | | | |
|-------------------------------|-------------------------|------------------------------------|------------------------|
| NO. | Parameters | RX | TX |
| 1 | Pass Band Frequency | 1428-1448 MHz | 1476-1496 MHz |
| 2 | Center Frequency(F0) | 1438 MHz | 1486 MHz |
| 3 | Insertion Loss | ≤1.0 dB | ≤1.0 dB |
| 4 | Pass Band Ripple | ≤0.5 dB | ≤0.5 dB |
| 5 | Pass Band VSWR | ≤1.3: 1 | ≤1.3: 1 |
| 6 | Stop Band Rejection | ≥70 dB @ 1476-1496 MHz | ≥70 dB @ 1428-1448 MHz |
| 7 | Power Handling | ≤10 W | |
| 8 | Impedance | 50 Ω | |
| Environmental Characteristics | | | |
| 1 | Operating Temperature | -40°C to +70°C | |
| Mechanical Characteristics | | | |
| 1 | Connectors | SMA Female | |
| 2 | Surface Finishing | Black Painted Finish | |
| 3 | Dimensions ¹ | 128×97×26 mm / [5.04×3.82×1.02 in] | |
| 4 | weight | 505 g | |

Outline Drawing (Units: mm/[inch], Tolerance: ±0.3 mm)



Note 1: Excluding Connectors