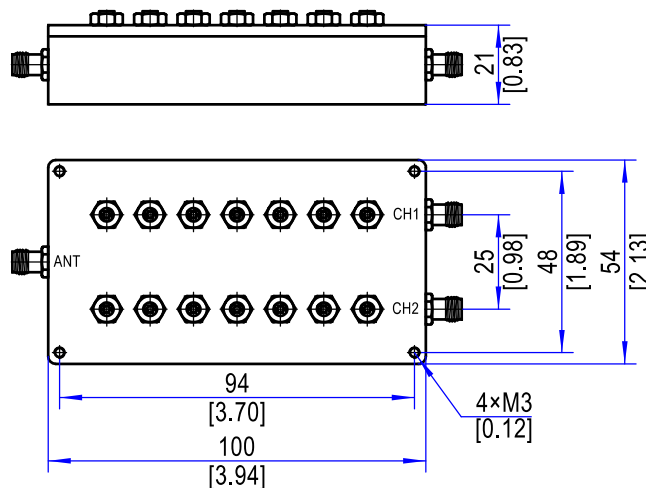


# YSDPLX20-2R54-3R33-S

2.54-3.33 GHz Cavity Diplexer, 20 W, SMA Connector

Electrical Specifications			
NO.	Parameters	CH 1	CH 2
1	Pass Band Frequency	2540-2580 MHz	3290-3330 MHz
2	Center Frequency(F0)	2560 MHz	3310 MHz
3	Insertion Loss	≤0.8 dB	≤0.8 dB
4	Pass Band Ripple	≤0.2 dB	≤0.2 dB
5	Return Loss	≥18 dB	≥18 dB
6	Stop band Rejection	≥80 dB @ 3290-3330 MHz	≥80 dB @ 2540-2580 MHz
7	Power Handling	≤20 W	
8	Impedance	50 Ω	
Environmental Characteristics			
1	Operating Temperature	-30°C to +70°C	
Mechanical Characteristics			
1	Connectors	SMA Female	
2	Surface Finishing	Black Painted Finish	
3	Dimensions <sup>1</sup>	100×54×21 mm / [3.94×2.13×0.83 in]	
4	weight	204 g	

**Outline Drawing** (Units: mm/[inch], Tolerance: ±0.3 mm)



Note 1: Excluding Connectors