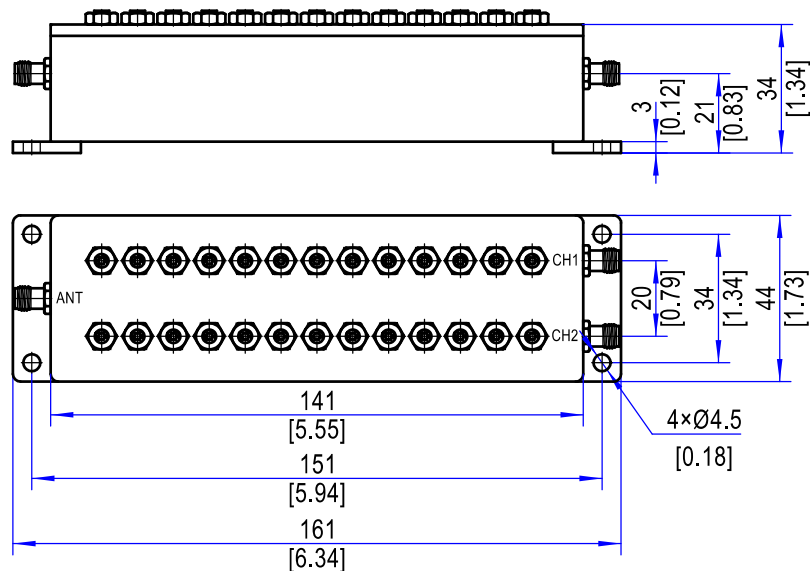


YSDPLX20-1R92-2R17-S

1.92-2.17 GHz Cavity Diplexer, 20 W, SMA Connector

Electrical Specifications			
NO.	Parameters	CH 1	CH 2
1	Pass Band Frequency	1920-1980 MHz	2110-2170 MHz
2	Center Frequency(F0)	1950 MHz	2140 MHz
3	Insertion Loss	≤1.0 dB	≤1.0 dB
4	Pass Band Ripple	≤0.4 dB	≤0.4 dB
5	Return Loss	≥18 dB	≥18 dB
6	Stop band Rejection	≥90 dB @ 2110-2170 MHz ≥55 dB @ 2045 MHz	≥90 dB @ 1920-1980 MHz ≥55 dB @ 2045 MHz
7	Power Handling	≤20 W	
8	Impedance	50 Ω	
Environmental Characteristics			
1	Operating Temperature	-30°C to +70°C	
Mechanical Characteristics			
1	Connectors	SMA Female	
2	Surface Finishing	Black Painted Finish	
3	Dimensions ¹	161×44×34 mm / [6.34×1.73×1.34 in]	
4	weight	356 g	

Outline Drawing (Units: mm/[inch], Tolerance: ±0.3 mm)



Note 1: Excluding Connectors