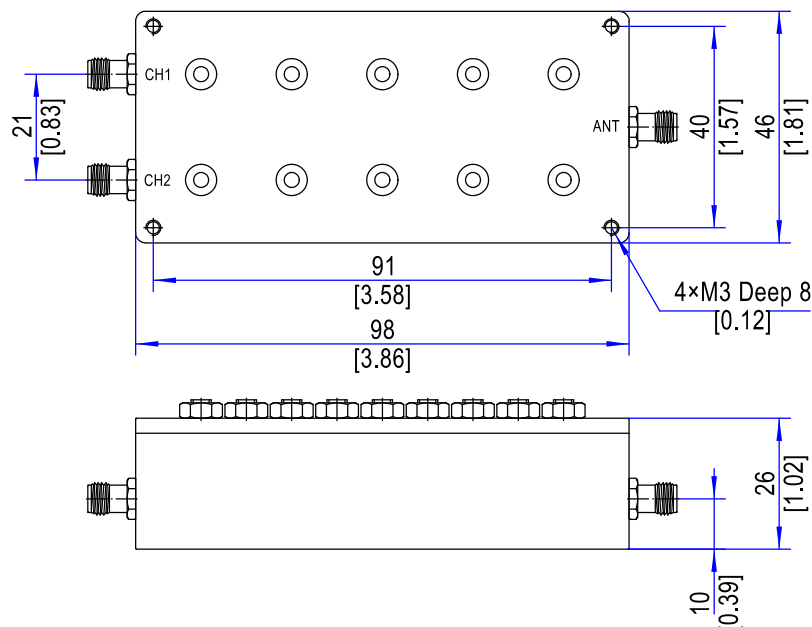


YSDPLX20-1R74-1R97-S

1.74-1.97 GHz Cavity Diplexer, 20 W, SMA Connector

Electrical Specifications			
NO.	Parameters	CH 1	CH 2
1	Pass Band Frequency	1930-1970 MHz	1740-1780 MHz
2	Center Frequency(F0)	1950 MHz	1760 MHz
3	Insertion Loss	≤1.2 dB	≤1.2 dB
4	Pass Band Ripple	≤0.4 dB	≤0.4 dB
5	Pass Band VSWR	≤1.3: 1	≤1.3: 1
6	Stop band Rejection	≥50 dB @ 1740-1780 MHz	≥50 dB @ 1930-1970 MHz
7	Power Handling	≤20 W	
8	Impedance	50 Ω	
Environmental Characteristics			
1	Operating Temperature	-30°C to +70°C	
Mechanical Characteristics			
1	Connectors	SMA Female	
2	Surface Finishing	Black Painted Finish	
3	Dimensions ¹	98×46×26 mm / [3.86×1.81×1.02 in]	
4	weight	235 g	

Outline Drawing (Units: mm/[inch], Tolerance: ±0.3 mm)



Note 1: Excluding Connectors