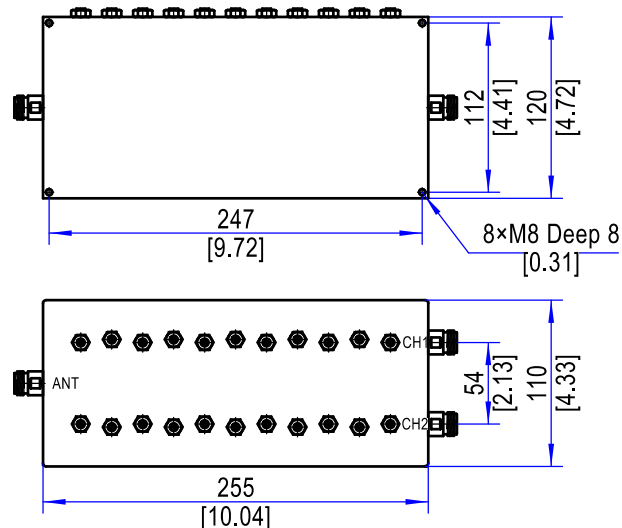


YSDPLX100-R27-R33-N

0.27-0.33 GHz Cavity Diplexer, 100 W, N-Type Connector

Electrical Specifications			
NO.	Parameters	CH 1	CH 2
1	Pass Band Frequency	270-280 MHz	320-330 MHz
2	Center Frequency(F0)	275 MHz	325 MHz
3	Insertion Loss	≤1.0 dB	≤1.0 dB
4	Pass Band Ripple	≤0.4 dB	≤0.4 dB
5	Return Loss	≥18 dB	≥18 dB
6	Stop band Rejection	≥80 dB @ 320-330 MHz	≥80 dB @ 270-280 MHz
7	Isolation	≥80 dB @ 270-280 MHz, 320-330 MHz	
8	Power Handling	100 W(CW)	
9	Impedance	50 Ω	
Environmental Characteristics			
1	Operating Temperature	-30°C to +70°C	
Mechanical Characteristics			
1	Connectors	N-Type Female	
2	Surface Finishing	Black Painted Finish	
3	Dimensions ¹	255×120×110 mm / [10.04×4.72×4.33 in]	
4	weight	3050 g	

Outline Drawing (Units: mm/[inch], Tolerance: ±0.3 mm)



Note 1: Excluding Connectors