

YSDDC500-3R3-3R8-50-N

Dual Directional Coupler, 500 W, 3.3-3.8 GHz, 50 dB coupling, N-Type

Key Features

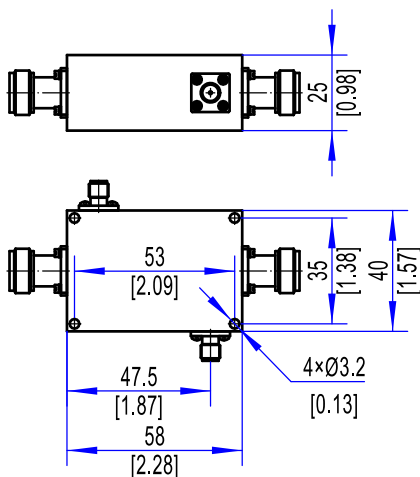
- Broadband 3.3-3.8 GHz operation
- High coupling accuracy: 50 dB \pm 2.0 dB
- Low insertion loss: \leq 0.3 dB
- High power handling: 500 W (CW)
- Connector type: N-Type Female

Applications

- RF power amplifier monitoring
- VSWR reflected power measurement
- Test & measurement setups
- Microwave system integration
- Lab & production testing

Electrical Specifications		
1	Frequency Range	3.3-3.8 GHz
2	Coupling	50 \pm 2.0 dB
3	Coupling Flatness	$\leq \pm$ 0.5 dB
4	Insertion Loss	\leq 0.3 dB
5	Main Line VSWR	\leq 1.3:1
6	Directivity	\geq 15 dB
7	Power	500 W(CW)
Environmental Specifications		
1	Operating Temperature	-55°C to +85°C
Mechanical Specifications		
1	Connectors	N-Type Female / SMA Female
2	Surface Finishing	Natural Conductive Oxidation
3	Dimensions ¹	58×40×25 mm / [2.28×1.57×0.98 in]

Outline Drawing (Units: mm/[inch], Tolerance: \pm 0.3 mm)



Note 1: Excluding Connector size