

YSDDC300-4K-R4-40-S

Dual Directional Coupler, 300 W, 4 KHz-0.4 GHz, 40 dB coupling, SMA

Key Features

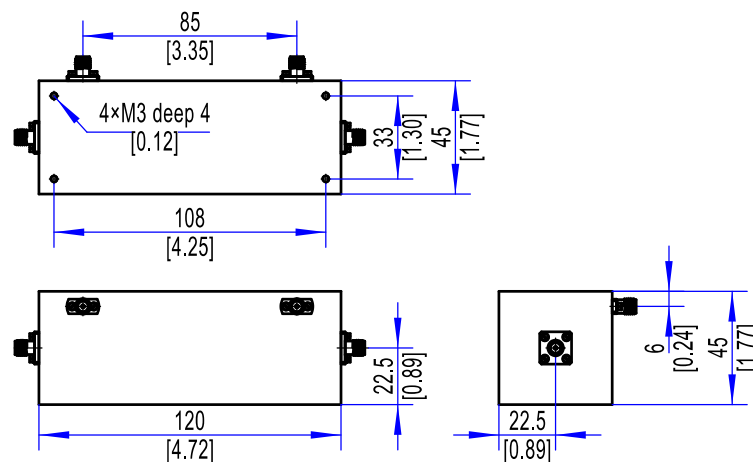
- Ultra-wideband coverage from 4 kHz to 0.4 GHz
- High power handling up to 300 W CW
- Tight coupling tolerance (± 1.0 dB)
- Excellent coupling flatness (± 0.5 dB)
- Low insertion loss and good VSWR

Applications

- Forward & reflected power monitoring
- HF/VHF communication systems
- RF test & measurement setups
- Transmitter protection and diagnostics
- Signal sampling in broadband systems

Electrical Specifications		
1	Frequency Range	4 KHz-0.4 GHz
2	Coupling	40 ± 1.0 dB
3	Coupling Flatness	$\leq \pm 0.5$ dB
4	Insertion Loss	≤ 0.4 dB
5	Main Line VSWR	$\leq 1.25:1$
6	Secondary Line VSWR	$\leq 1.5:1$
7	Directivity	≥ 20 dB
8	Power	300 W(CW)
Environmental Specifications		
1	Operating Temperature	-20°C to $+60^{\circ}\text{C}$
Mechanical Specifications		
1	Connectors	SMA Female
2	Surface Finishing	Natural Conductive Oxidation
3	Dimensions ¹	120×45×45 mm / [4.72×1.77×1.77 in]

Outline Drawing (Units: mm/[inch], Tolerance: ± 0.3 mm)



Note 1: Excluding Connector size