

YSDDC200-4K-R1-40-S

Dual Directional Coupler, 200 W, 4 KHz-0.1 GHz, 40 dB coupling, SMA

Key Features

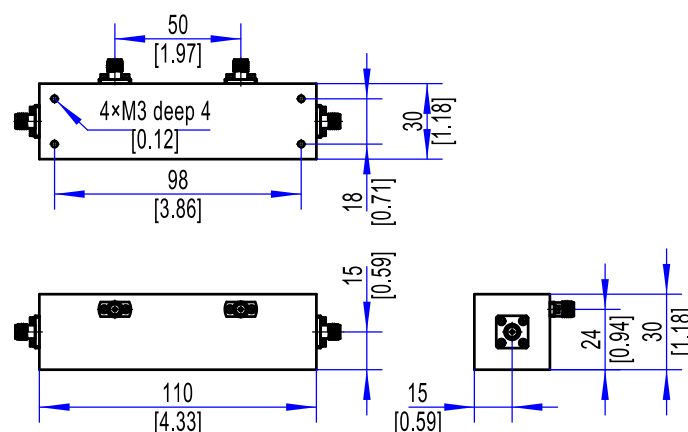
- Frequency Range from 4 kHz to 0.1 GHz
- High power handling up to 200 W CW
- Tight coupling tolerance (± 1.0 dB)
- Excellent coupling flatness (± 0.5 dB)
- Low insertion loss and good VSWR

Applications

- Forward & reflected power monitoring
- HF/VHF communication systems
- RF test & measurement setups
- Transmitter protection and diagnostics
- Signal sampling in broadband systems

Electrical Specifications		
1	Frequency Range	4 KHz-0.1 GHz
2	Coupling	40 \pm 1.0 dB
3	Coupling Flatness	$\leq \pm 0.5$ dB
4	Insertion Loss	≤ 0.25 dB
5	Main Line VSWR	$\leq 1.20:1$
6	Directivity	≥ 20 dB
7	Power	200 W(CW)
Environmental Specifications		
1	Operating Temperature	-55°C to +85°C
Mechanical Specifications		
1	Connectors	SMA Female
2	Surface Finishing	Natural Conductive Oxidation
3	Dimensions ¹	110×30×30 mm / [4.33×1.18×1.18 in]

Outline Drawing (Units: mm/[inch], Tolerance: ± 0.3 mm)



Note 1: Excluding Connector size