

# YSDDC10-R3-4-40-S

Dual Directional Coupler, 10 W, 0.3-4 GHz, 40 dB coupling, SMA

## Key Features

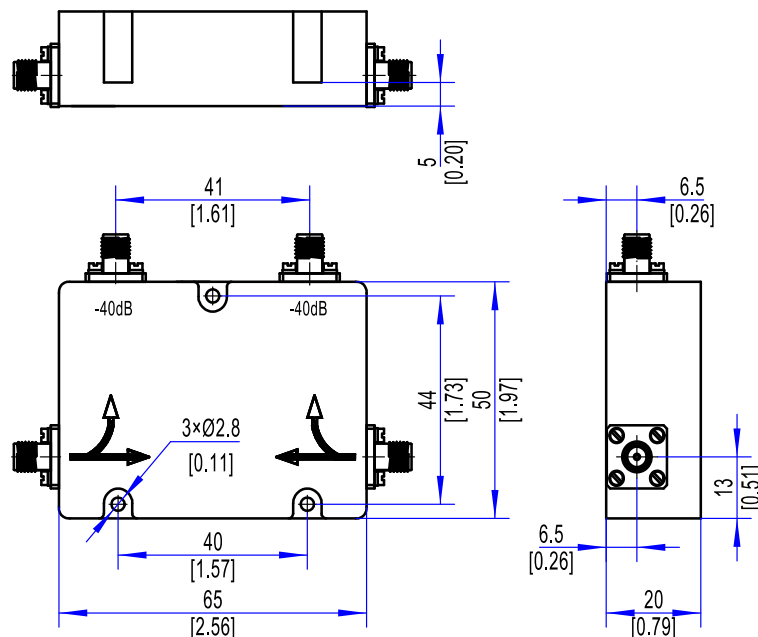
- Wideband operation from 0.3-4 GHz
- Dual directional sampling (forward & reverse)
- directivity  $\geq 20$  dB for accurate measurement
- Low insertion loss  $\leq 0.5$  dB
- Stable 40 dB coupling with good flatness

## Applications

- RF power monitoring (forward & reflected)
- Test & measurement systems
- VSWR and return loss analysis
- RF system integration & diagnostics
- Signal sampling in communication systems

Electrical Specifications		
1	Frequency Range	0.3-4 GHz
2	Coupling	40 $\pm$ 2.0 dB
3	Coupling Flatness	$\leq \pm 2.0$ dB
4	Insertion Loss	$\leq 0.5$ dB
5	Main Line VSWR	$\leq 1.25:1$
6	Secondary Line VSWR	$\leq 2.0:1$
7	Directivity	$\geq 20$ dB
8	Power	10 W(CW)
Environmental Specifications		
1	Operating Temperature	-40°C to +70°C
Mechanical Specifications		
1	Connectors	SMA Female
2	Dimensions <sup>1</sup>	65×50×20 mm / [2.56×1.97×0.79 in]

## Outline Drawing (Units: mm/[inch], Tolerance: $\pm 0.3$ mm)



Note 1: Excluding Connector size