

YSDC50-R5-2-10-S

Directional Coupler, 50 W, 0.5-2 GHz, 10 dB coupling, SMA

Key Features

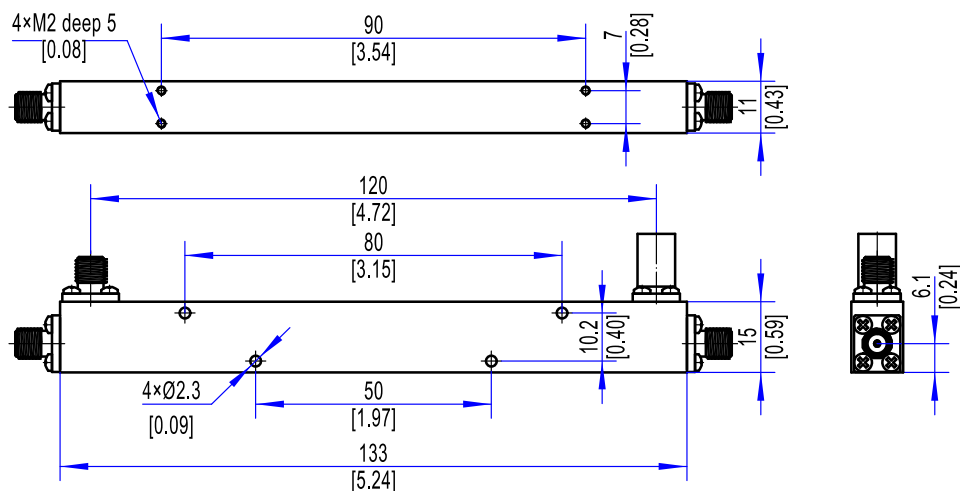
- Broadband coverage from 0.5–2 GHz
- Low coupling value (10 dB) for signal distribution
- High directivity (≥ 20 dB) for accurate signal sampling
- Low insertion loss (≤ 0.4 dB)
- Excellent VSWR ($\leq 1.25:1$) for minimal reflection

Applications

- Signal sampling and power distribution
- RF test and measurement systems
- Communication and base station systems
- Signal monitoring and feedback circuits
- Laboratory and R&D applications

Electrical Specifications		
1	Frequency Range	0.5-2 GHz
2	Coupling	10 \pm 1 dB
3	Coupling Flatness	$\leq \pm 0.7$ dB
4	Main Line VSWR	$\leq 1.20:1$
5	Secondary Line VSWR	$\leq 1.20:1$
6	Insertion Loss	≤ 0.4 dB
7	Directivity	≥ 20 dB
8	Power	50 W(CW)
Environmental Specifications		
1	Operating Temperature	-55°C to +85°C
Mechanical Specifications		
1	Connectors	SMA Female
2	Dimensions ¹	133×15×11 mm / [5.24×0.59×0.43 in]

Outline Drawing (Units: mm/[inch], Tolerance: ± 0.3 mm)



Note 1: Excluding Connector size