

YSDC300-2-6-40-N

Directional Coupler, 300 W, 2-6 GHz, 40 dB coupling, N-Type

Key Features

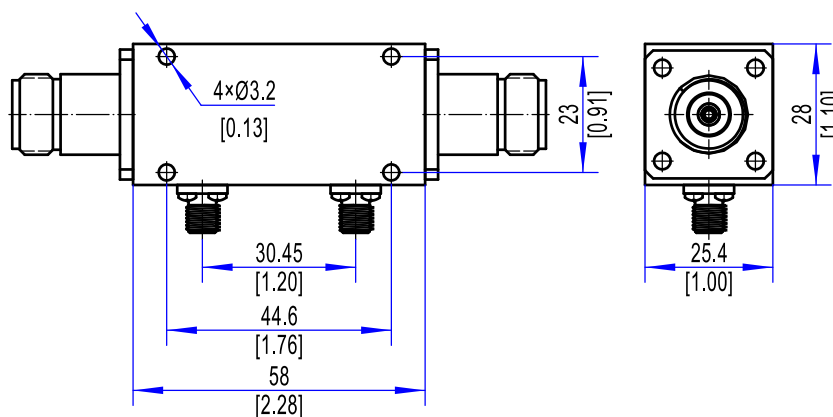
- 2-6 GHz wideband
- High power handling
- 40 dB high directivity coupling
- Low insertion loss
- Stable coupling flatness

Applications

- RF power monitoring and sampling
- Test & measurement systems
- Communication system integration
- Transmitter signal feedback and control
- RF laboratory and EMC testing

Electrical Specifications		
1	Frequency Range	2-6 GHz
2	Coupling	40 ±1 dB
3	Coupling Flatness	≤ ±0.5 dB
4	VSWR	≤1.3:1
5	Insertion Loss	≤0.3 dB
6	Directivity	≥16 dB
7	Power	300 W(CW)
Environmental Specifications		
1	Operating Temperature	-55°C to +85°C
Mechanical Specifications		
1	Connectors	N-Type Female / SMA
2	Surface Finishing	Natural Conductive Oxidation
3	Dimensions ¹	58×28×25.4 mm / [2.28×1.10×1.0 in]

Outline Drawing (Units: mm/[inch], Tolerance: ±0.3 mm)



Note 1: Excluding Connector size