

YSDC30-R4-6-30-S

Directional Coupler, 30 W, 0.4-6 GHz, 30 dB coupling, SMA

Key Features

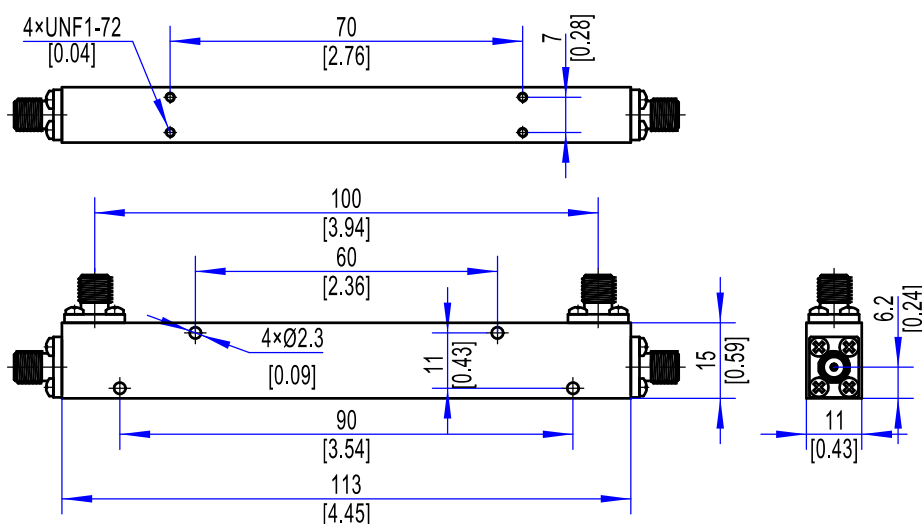
- Ultra-Wideband 0.4-6 GHz Coverage
- Stable 30 dB Coupling Across Band
- Low Insertion Loss & Good Directivity
- High Power Handling up to 30 W
- Compact Design with SMA Connectors

Applications

- Broadband RF & Microwave Systems
- Signal Sampling & Power Monitoring
- Radar & Electronic Warfare Systems
- Satellite & Communication Systems
- Test & Measurement Applications

Electrical Specifications		
1	Frequency Range	0.4-6 GHz
2	Coupling	30 ±1.5 dB
3	Coupling Flatness	≤ ±1.5 dB
4	Insertion Loss	≤0.6 dB
5	VSWR	≤1.3:1
6	Directivity	≥10 dB
7	Power	30 W(CW)
Environmental Specifications		
1	Operating Temperature	-55°C to +85°C
Mechanical Specifications		
1	Connectors	SMA Female
2	Dimensions ¹	113×15×11 mm / [4.45×0.59×0.43 in]

Outline Drawing (Units: mm/[inch], Tolerance: ±0.3 mm)



Note 1: Excluding Connector size