

# YSDC250-2-6-40-N

Directional Coupler, 250 W, 2-6 GHz, 40 dB coupling, N-Type

## Key Features

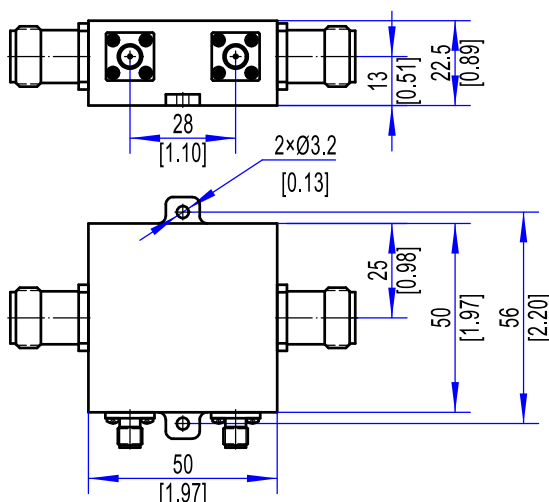
- 2-6 GHz wideband
- High power handling
- 40 dB high directivity coupling
- Low insertion loss
- Stable coupling flatness

## Applications

- RF power monitoring and sampling
- Test & measurement systems
- Communication system integration
- Transmitter signal feedback and control
- RF laboratory and EMC testing

Electrical Specifications		
1	Frequency Range	2-6 GHz
2	Coupling	40 ±2 dB
3	VSWR	≤1.3:1
4	Insertion Loss	≤0.6 dB
5	Directivity	≥11.5 dB
6	Power	250 W(CW)
Environmental Specifications		
1	Operating Temperature	-55°C to +85°C
Mechanical Specifications		
1	Connectors	N-Type Female / SMA Female
2	Surface Finishing	Natural Conductive Oxidation
3	Dimensions <sup>1</sup>	50×50×22.5 mm / [1.97×1.97×0.89 in]

## Outline Drawing (Units: mm/[inch], Tolerance: ±0.3 mm)



Note 1: Excluding Connector size