

YSDC200-9K-R5-40-N

Directional Coupler, 200 W, 9 KHz-0.5 GHz, 40 dB coupling, N-Type

Key Features

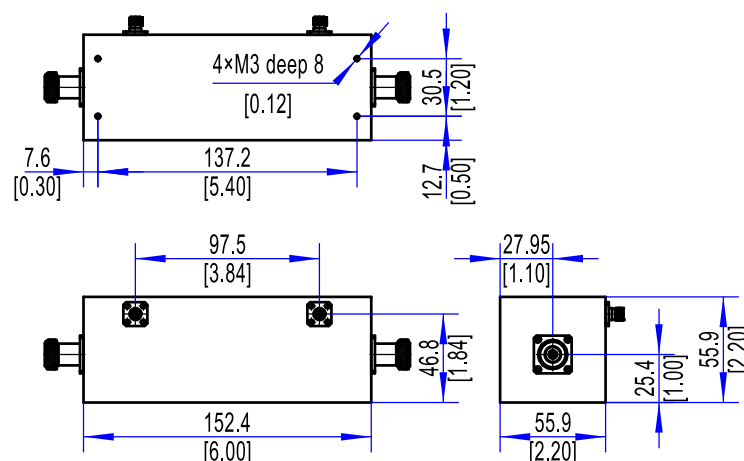
- Broadband 9 kHz – 0.5 GHz operation
- High directivity (≥ 20 dB) for accurate sampling
- Low insertion loss (≤ 0.5 dB)
- Excellent coupling flatness (± 0.5 dB)
- High CW power handling (200 W)

Applications

- Broadband signal monitoring
- RF power measurement systems
- EMC/EMI test setups
- Broadcast and communication systems
- Lab and general-purpose testing

Electrical Specifications		
1	Frequency Range	9 KHz-0.5 GHz
2	Coupling	40 \pm 1 dB
3	Coupling Flatness	$\leq \pm 0.5$ dB
4	Insertion Loss	≤ 0.5 dB
5	Main Line VSWR	$\leq 1.3:1$
6	Directivity	≥ 20 dB
7	Power	≤ 200 W(CW)
Environmental Specifications		
1	Operating Temperature	-55°C to +85°C
Mechanical Specifications		
1	Connectors	N-Type Female, SMA Female
2	Surface Finishing	Natural Conductive Oxidation
3	Dimensions ¹	152.4×55.9×55.9 mm / [6.0×2.2×2.2 in]

Outline Drawing (Units: mm/[inch], Tolerance: ± 0.3 mm)



Note 1: Excluding Connector size