

YSDC120-6-10-40-N

Directional Coupler, 120 W, 6-10 GHz, 40 dB coupling, N-Type / SMA

Key Features

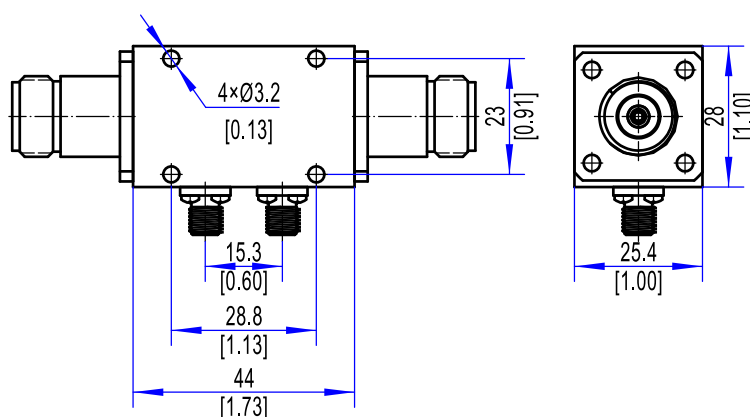
- 6–10 GHz wideband
- High power handling
- 40 dB high directivity coupling
- Low insertion loss
- Stable coupling flatness

Applications

- High-power signal monitoring
- Microwave system integration
- RF test & measurement
- Transmitter protection
- Lab & R&D use

Electrical Specifications		
1	Frequency Range	6-10 GHz
2	Coupling	40 ±1.0 dB
3	Coupling Flatness	≤ ±0.5 dB
4	Insertion Loss	≤0.3 dB(Coupling loss not included)
5	VSWR	≤1.4:1
6	Directivity	≥15 dB
7	Power	120 W(CW)
Environmental Specifications		
1	Operating Temperature	-55°C to +85°C
Mechanical Specifications		
1	Connectors	N-Type Female / SMA Female
2	Surface Finishing	Natural Conductive Oxidation
3	Dimensions ¹	44×28×25.4 mm / [1.73×1.10×1.0 in]

Outline Drawing (Units: mm/[inch], Tolerance: ±0.3 mm)



Note 1: Excluding Connector size