

## YSCVA5-2-4-8-S

RF Continuously Variable Attenuator, 5 W, 2-18 GHz, Up to 40 dB

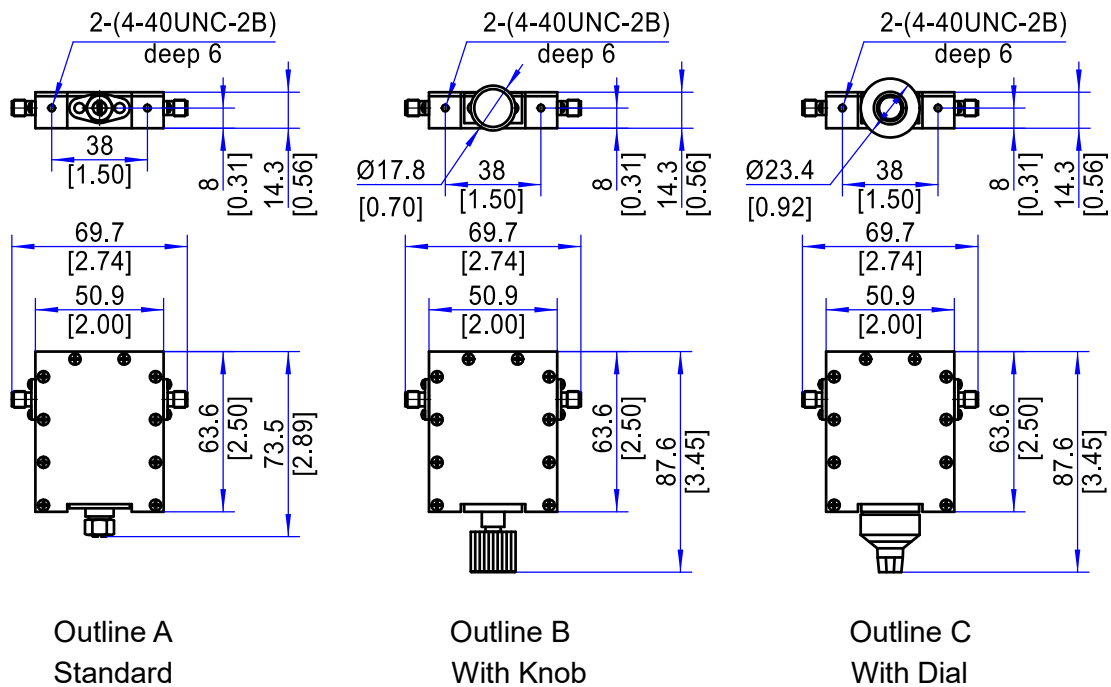
### Key Features

- Continuous attenuation
- Wideband 2–18 GHz
- Up to 40 dB range
- Low insertion loss
- Multiple adjustment options

### Applications

- RF and microwave test systems
- Signal level adjustment and calibration
- Receiver sensitivity testing
- Laboratory and R&D applications
- Communication system integration

Electrical Specifications			
Impedance	50 $\Omega$		
Average Power	5 W		
Adjustment Type	Continuous (No Step)		
Frequency Range	Attenuation Range(dB)	Insertion Loss (dB)	VSWR
2-4 GHz	0-8	$\leq 0.5$	$\leq 1.50$
4-8 GHz	0-10, 0-20	$\leq 0.5$	$\leq 1.50$
7-10 GHz	0-10, 0-20, 0-30, 0-40	$\leq 0.5$	$\leq 1.50$
8-12.4 GHz	0-10, 0-20, 0-30, 0-40	$\leq 0.75$	$\leq 1.60$
12.4-18 GHz	0-10, 0-20, 0-30, 0-40	$\leq 1.0$	$\leq 1.60$
Environmental Specifications			
Operating Temperature	-40°C to +65°C		
Mechanical Specifications			
Connectors	SMA Female		
Body Material	Outer Conductor: Nickel Plated Brass Inner Conductor: Gold Plated Beryllium Copper Housing: Aluminum		
Dimension	Outline A: 73.5×69.7×14.3 mm / [2.89×2.74×0.56 in] Outline B: 87.6×69.7×17.8 mm / [3.45× 2.74×0.56 in] Outline C: 87.6×69.7×23.4 mm / [3.45×2.74×0.56 in]		
Weight	Approx. 130-142 g		

**Outline Drawing** (Units: mm/[inch], Tolerance:  $\pm 0.3$  mm)

**Ordering Information:**

 Model: **YSCVA5-XX-YY-ZZ-S(K / D)**

XX = Start Frequency In GHz

YY = Stop Frequency In GHz

ZZ = Adjustment type In dB

- **S:** Standard (Screw Adjust, Outline A)
- **SK:** With Knob (Outline B)
- **SD:** With Dial (Outline C)

 Example: 7-10 GHz, 0-30 dB, With Knob → **YSCVA5-7-10-30-SK**