

YSCVA300-R9-4-20-N

RF Continuously Variable Attenuator, 300 W, 0.9-11 GHz, Up to 20 dB

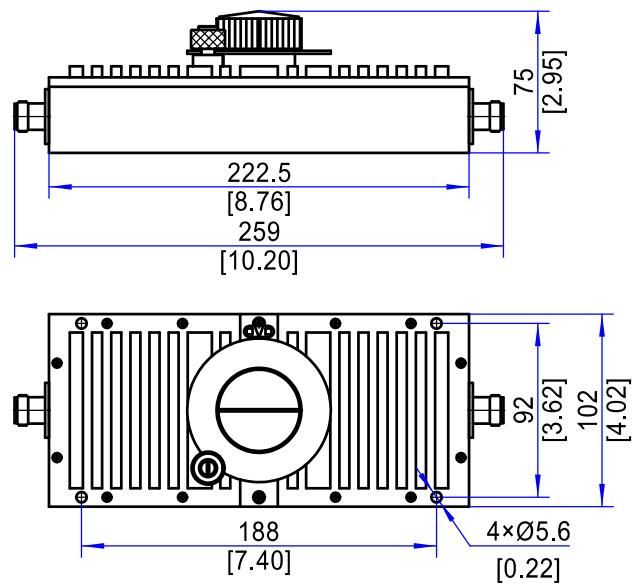
Key Features

- Continuous attenuation
- Wideband 0.9–11 GHz
- Up to 20 dB range
- Low insertion loss
- Multiple adjustment options

Applications

- RF and microwave test systems
- Signal level adjustment and calibration
- Receiver sensitivity testing
- Laboratory and R&D applications
- Communication system integration

Electrical Specifications					
Impedance	50 Ω				
Average Power	300 W				
Adjustment Type	Continuous (No Step)				
Frequency Range	Bandwidth (MHz)	Attenuation Range (dB)	Attenuation Accuracy (dB)	VSWR	Insertion Loss (dB)
0.9-4 GHz	100	0-10	± 0.5	$\leq 1.50:1$ (Forward)	≤ 1.0
		0-20			
	200	0-10	± 0.75		
		0-20			
4-5 GHz	100	0-10	± 0.5	$\leq 1.55:1$	≤ 1.2
		0-20			
	200	0-10	± 0.75		
		0-20			
9-11 GHz	100	0-10	± 0.5	$\leq 1.60:1$	≤ 1.5
		0-15			
	200	0-10	± 0.75		
		0-15			
Environmental Specifications					
Operating Temperature	-40°C to $+65^{\circ}\text{C}$				
Mechanical Specifications					
Connectors	N-Type Female				
Body Material	Outer Conductor: Nickel Plated Brass Inner Conductor: Gold Plated Beryllium Copper Housing: Aluminum (Black)				
Dimension	Outline: 259×102×75 mm / [10.20×4.02×2.95 in]				
Weight	Approx. 2.6 kg				

Outline Drawing (Units: mm/[inch], Tolerance: ± 0.3 mm)

Ordering Information:

 Model: **YSCVA300-XX-YY-ZZ-N**

XX = Start Frequency in GHz

YY = Stop Frequency in GHz

ZZ = Attenuation in dB (e.g. 0-10 dB→10)

 Example: 0.9-1 GHz, 0-20 dB, N-Type Female→**YSCVA300-0.9-1-20-N**