

## YSCVA10-R5-4-20-N

RF Continuously Variable Attenuator, 10 W, 0.5-4 GHz, Up to 20 dB

### Key Features

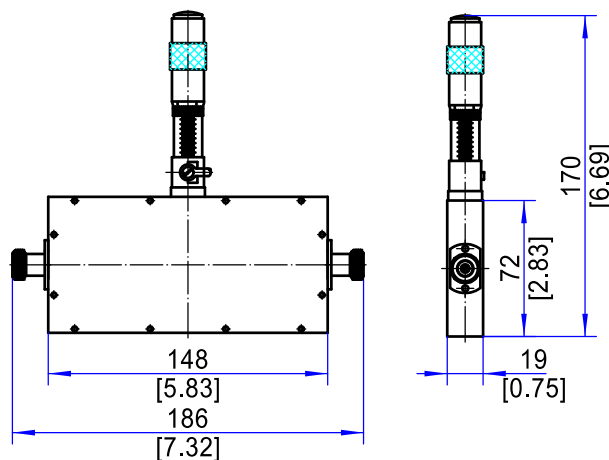
- Continuous attenuation
- Wideband 0.5–4 GHz
- Up to 20 dB range
- Low insertion loss
- Multiple adjustment options

### Applications

- RF and microwave test systems
- Signal level adjustment and calibration
- Receiver sensitivity testing
- Laboratory and R&D applications
- Communication system integration

Electrical Specifications	
Impedance	50 $\Omega$
Average Power	10 W
Adjustment Type	Continuous (No Step)
Frequency Range	0.5-4 GHz
Attenuation Range	0-20 dB
Insertion Loss	$\leq 0.5$ dB
VSWR	$\leq 1.50:1$
Environmental Specifications	
Operating Temperature	-40°C to +65°C
Mechanical Specifications	
Connectors	N-Type Female
Body Material	Outer Conductor: Nickel Plated Brass Inner Conductor: Gold Plated Beryllium Copper Housing: Aluminum (Blue)
Dimension	186×170×19 mm / [7.32×6.69×19 in]
Weight	Approx. 590 g

### Outline Drawing (Units: mm/[inch], Tolerance: $\pm 0.3$ mm)



### Ordering Information:

Model: YSCVA10-0.5-4-20-N