

YSCVA10-2-18-40-N

RF Continuously Variable Attenuator, 10 W, 2-18 GHz, Up to 40 dB

Key Features

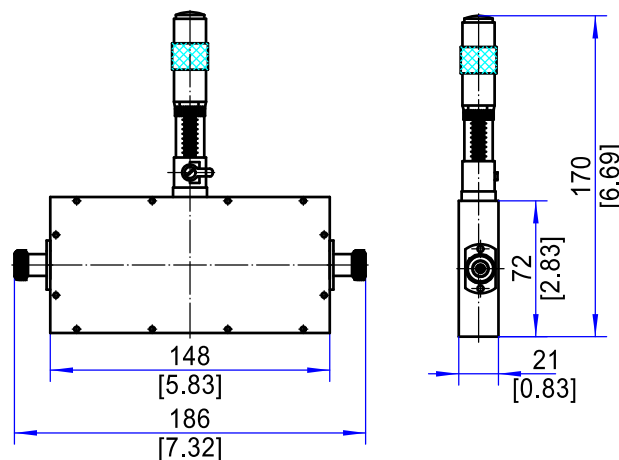
- Continuous attenuation
- Wideband 2–18 GHz
- Up to 40 dB range
- Low insertion loss
- Multiple adjustment options

Applications

- RF and microwave test systems
- Signal level adjustment and calibration
- Receiver sensitivity testing
- Laboratory and R&D applications
- Communication system integration

Electrical Specifications	
Impedance	50 Ω
Average Power	10 W
Adjustment Type	Continuous (No Step)
Frequency Range	2-18 GHz
Attenuation Range	0-40 dB
Insertion Loss	≤1.2 dB
VSWR	≤1.50:1
Environmental Specifications	
Operating Temperature	-40°C to +65°C
Mechanical Specifications	
Connectors	N-Type Female
Body Material	Outer Conductor: Nickel Plated Brass Inner Conductor: Gold Plated Beryllium Copper Housing: Aluminum (Blue)
Dimension	186×170×21 mm / [7.32×6.69×0.83 in]
Weight	Approx. 590 g

Outline Drawing (Units: mm/[inch], Tolerance: ± 0.3 mm)



Ordering Information:

Model: YSCVA10-2-18-40-N