

YS8WPD150-70M-R5-S

8-Way Wilkinson Power Divider, 150 W, 0.07-0.5 GHz, SMA

Key Features

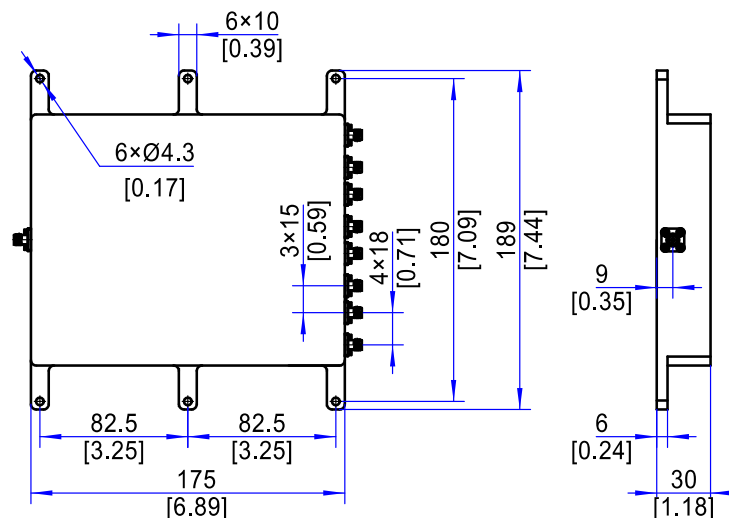
- 0.07-0.5 GHz Wideband Coverage
- Low Insertion Loss
- Excellent Amplitude & Phase Balance
- High Isolation (≥ 12 dB)
- 150 W Power Handling

Applications

- RF & Microwave Systems
- Test & Measurement
- Radar & EW Systems
- Communication Networks
- Signal Distribution

Electrical Specifications		
1	Frequency Range	0.07-0.5 GHz
2	Insertion Loss	≤ 1.0 dB
3	Input Port VSWR	$\leq 1.7@70-100$ MHz $\leq 1.5@100-500$ MHz
4	Isolation	≥ 12 dB
5	Amplitude Balance	$\leq \pm 0.2$ dB
6	Phase Balance	$\leq \pm 3^\circ$
7	Power Handling	150 W(CW)
8	Impedance	50 Ω
Environmental Specifications		
1	Operating Temperature	-10°C to +70°C
Mechanical Specifications		
1	Connectors	SMA Female
2	Surface Finishing	Cavity: Silver plated Cover: Natural conductive oxidation
3	Dimensions ¹	175×189×30 mm / [6.89×7.44×1.18 in]

Outline Drawing (Units: mm/[inch], Tolerance: ± 0.3 mm)



Note 1: Excluding Connectors