

YS6WPD10-1-2-S

6-Way Wilkinson Power Divider, 10 W, 1-2 GHz, SMA

Key Features

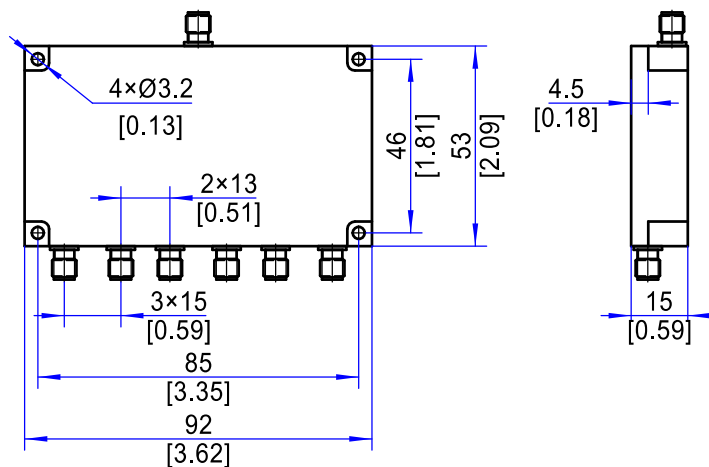
- 1-2 GHz Wideband Coverage
- Low Insertion Loss
- Excellent Amplitude & Phase Balance
- High Isolation (≥ 20 dB)
- 10 W Power Handling

Applications

- RF & Microwave Systems
- Test & Measurement
- Radar & EW Systems
- Communication Networks
- Signal Distribution

Electrical Specifications		
1	Frequency Range	1-2 GHz
2	Insertion Loss	≤ 1.0 dB
3	Input Port VSWR	$\leq 1.35:1$
4	Isolation	≥ 20 dB
5	Amplitude Balance	$\leq \pm 0.4$ dB
6	Phase Balance	$\leq \pm 7^\circ$
7	Power Handling	Forward Power: 10 W; Reverse Power: 1 W
8	Impedance	50 Ω
Environmental Specifications		
1	Operating Temperature	-55°C to +85°C
Mechanical Specifications		
1	Connectors	SMA Female
2	Surface Finishing	Putty filling and gray-white paint spraying
3	Dimensions ¹	92×53×15 mm / [3.62×2.09×0.59 in]

Outline Drawing (Units: mm/[inch], Tolerance: ± 0.3 mm)



Note 1: Excluding Connectors