

YS4WPD50-76M-R11-N

4-Way Wilkinson Power Divider, 50 W, 0.076-0.108 GHz, N-Type

Key Features

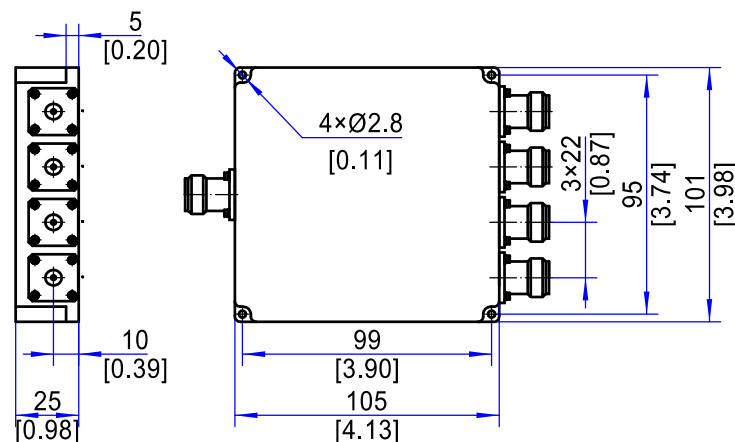
- 0.076-0.108 GHz Wideband Coverage
- Low Insertion Loss
- Excellent Amplitude & Phase Balance
- High Isolation (≥ 20 dB)
- 50 W Power Handling

Applications

- RF & Microwave Systems
- Test & Measurement
- Radar & EW Systems
- Communication Networks
- Signal Distribution

Electrical Specifications		
1	Frequency Range	0.076-0.108 GHz
2	Insertion Loss	≤ 0.25 dB
3	Input Port VSWR	$\leq 1.18:1$
4	Output Port VSWR	$\leq 1.18:1$
5	Isolation	≥ 20 dB
6	Amplitude Balance	$\leq \pm 0.1$ dB
7	Phase Balance	$\leq \pm 3^\circ$
8	Power Handling	50 W(CW)
9	Impedance	50 Ω
Environmental Specifications		
1	Operating Temperature	-55°C to +85°C
Mechanical Specifications		
1	Connectors	N-Type Female
2	Surface Finishing	Natural Conductive Oxidation
3	Dimensions ¹	105×101×25 mm / [4.13×3.98×0.98 in]

Outline Drawing (Units: mm/[inch], Tolerance: ± 0.3 mm)



Note 1: Excluding Connectors