

YS4WPD30-2-4-S

4-Way Wilkinson Power Divider, 30 W, 2-4 GHz, SMA

Key Features

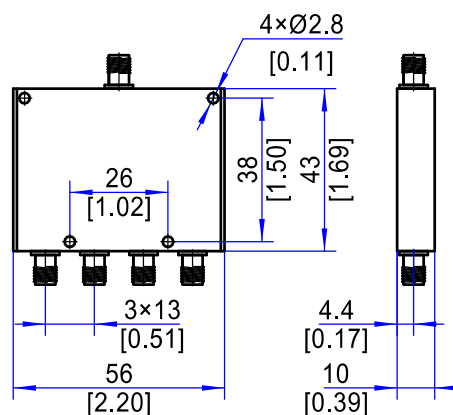
- 2-4 GHz Wideband Coverage
- Low Insertion Loss
- Excellent Amplitude & Phase Balance
- High Isolation (≥ 20 dB)
- 30 W Power Handling

Applications

- RF & Microwave Systems
- Test & Measurement
- Radar & EW Systems
- Communication Networks
- Signal Distribution

Electrical Specifications		
1	Frequency Range	2-4 GHz
2	Insertion Loss	≤ 0.6 dB
3	Input Port VSWR	$\leq 1.3:1$
4	Output Port VSWR	$\leq 1.2:1$
5	Isolation	≥ 20 dB
6	Amplitude Balance	$\leq \pm 0.3$ dB
7	Phase Balance	$\leq \pm 3^\circ$
8	Power Handling	30 W(CW)
9	Impedance	50 Ω
Environmental Specifications		
1	Operating Temperature	-55°C to +85°C
Mechanical Specifications		
1	Connectors	SMA Female
2	Surface Finishing	Putty filling and gray-white paint spraying
3	Dimensions ¹	56×43×10 mm / [2.20×1.69×0.39 in]

Outline Drawing (Units: mm/[inch], Tolerance: ± 0.3 mm)



Note 1: Excluding Connectors