

# YS4WPD20-18-40-K-1

4-Way Wilkinson Power Divider, 20 W, 18-40 GHz, 2.92 mm

## Key Features

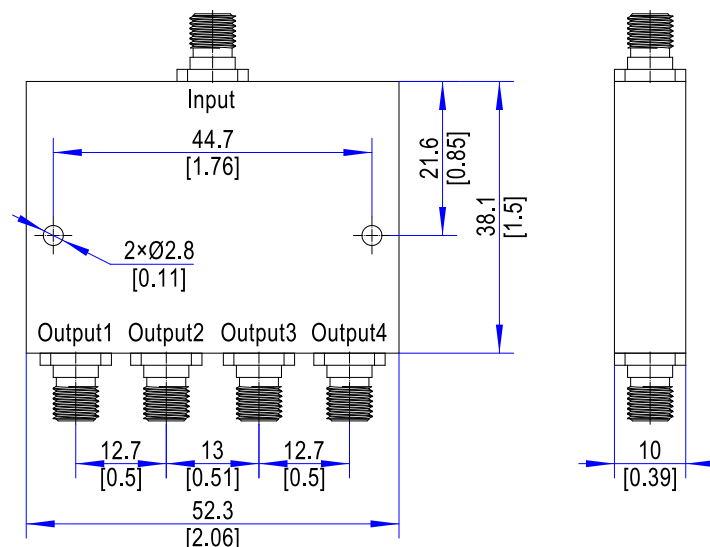
- 18-40 GHz broadband
- Low insertion loss
- High port isolation
- Good amplitude balance
- Compact 2.92 mm design

## Applications

- RF test systems
- Signal distribution
- Communication systems
- Lab & R&D use
- Receiver testing

Electrical Specifications		
1	Frequency Range	18-40 GHz
2	Insertion Loss	≤1.6 dB (Excluding theoretical loss 6 dB)
3	Input Port VSWR	≤1.5:1
4	Output Port VSWR	≤1.5:1
5	Isolation	≥18 dB
6	Amplitude Balance	≤±0.4 dB
7	Phase Balance	≤±6°
8	Power Handling	Forward Power: 20 W; Reverse Power: 1 W
9	Impedance	50 Ω
Environmental Specifications		
1	Operating Temperature	-45°C to +85°C
Mechanical Specifications		
1	Connectors	2.92 mm Female
2	Surface Finishing	Black Paint
3	Dimensions <sup>1</sup>	52.3×38.1×10 mm / [2.06×1.5×0.39 in]

## Outline Drawing (Units: mm/[inch], Tolerance: ±0.3 mm)



Note 1: Excluding Connectors