

YS4WPD100-2R4-2R5-N

4-Way Wilkinson Power Divider, 100 W, 2.43-2.47 GHz, N-Type

Key Features

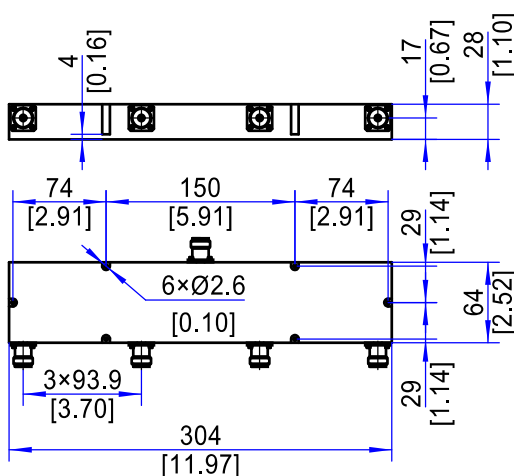
- 2.43-2.47 GHz Wideband Coverage
- Low Insertion Loss
- Excellent Amplitude & Phase Balance
- High Isolation (≥ 20 dB)
- 100 W Power Handling

Applications

- RF & Microwave Systems
- Test & Measurement
- Radar & EW Systems
- Communication Networks
- Signal Distribution

Electrical Specifications		
1	Frequency Range	2.43-2.47 GHz
2	Insertion Loss	≤ 0.5 dB
3	Input Port VSWR	$\leq 1.25:1$
4	Isolation	≥ 20 dB
5	Amplitude Balance	$\leq \pm 0.3$ dB
6	Phase Balance	$\leq \pm 3^\circ$
7	Power Handling	100 W(CW)
8	Impedance	50 Ω
Environmental Specifications		
1	Operating Temperature	-55°C to +85°C
Mechanical Specifications		
1	Connectors	N-Type Female
2	Surface Finishing	Cavity: Silver plated Cover: Natural conductive oxidation
3	Dimensions ¹	304×64×28 mm / [11.97×2.52×1.10 in]

Outline Drawing (Units: mm/[inch], Tolerance: ± 0.3 mm)



Note 1: Excluding Connectors